



# INSTRUCTION MANUAL

There is no perfect machine, only you can make it perfect.  
You give it a variety of smart power,  
Let its take you  
Travel 3D print world



Reveal  
your personality  
*The original 3d printing is so simple*



TEVO 3D Electronic Technology Co., Ltd.

 **BLACK  
WIDOW**

DO NOT TOUCH

# CONTENTS



## MECHANICAL PARTS

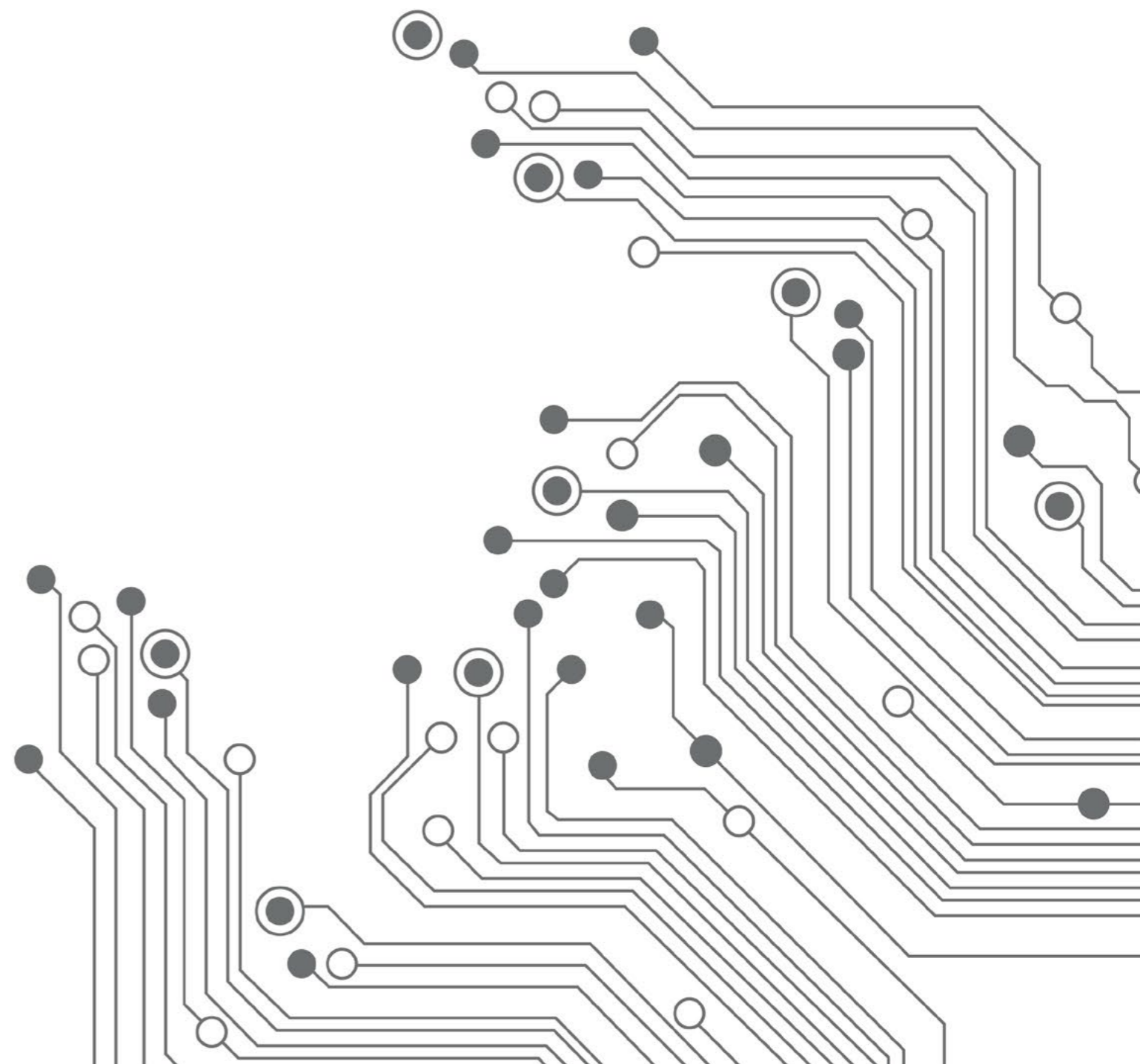
- 1 THE BOTTOM BRACKET INSTALLATION
- 3 Z AXIS MOVEMENT TRACK INSTALLATION
- 5 BED FRAME INSTALLATION
- 6 Y AXIS ASSEMBLY
- 10 X AXIS ASSEMBLY
- 15 AT THE TOP OF THE SCAFFOLD
- 19 THE X AXIS INSTALLATION
- 25 Z AXIS TRANSMISSION SET OF INSTALLATION
- 27 INSTALL THE HOT BED
- 29 DRAG CHAIN INSTALLATION
- 32 LIMIT ENDSTOP INSTALLATION

## THE MAIN BOARD BOX

- 34 CONTROL BOX INSTALLATION



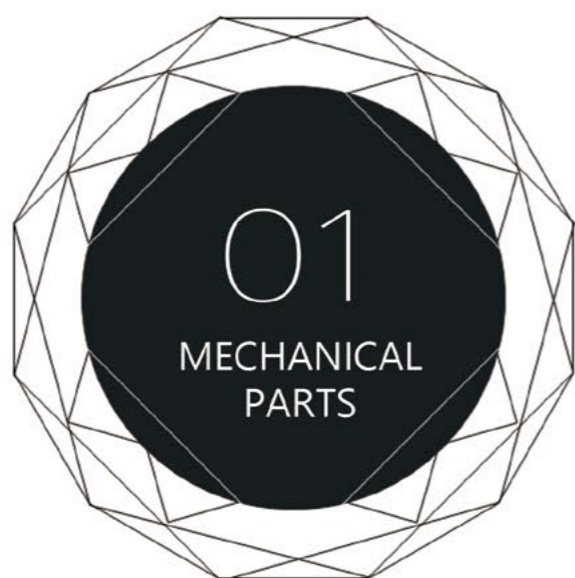
ABOUT US



THE BOTTOM BRACKET INSTALLATION



PARTS  
ARE READY



PROFILE 4080 \*1

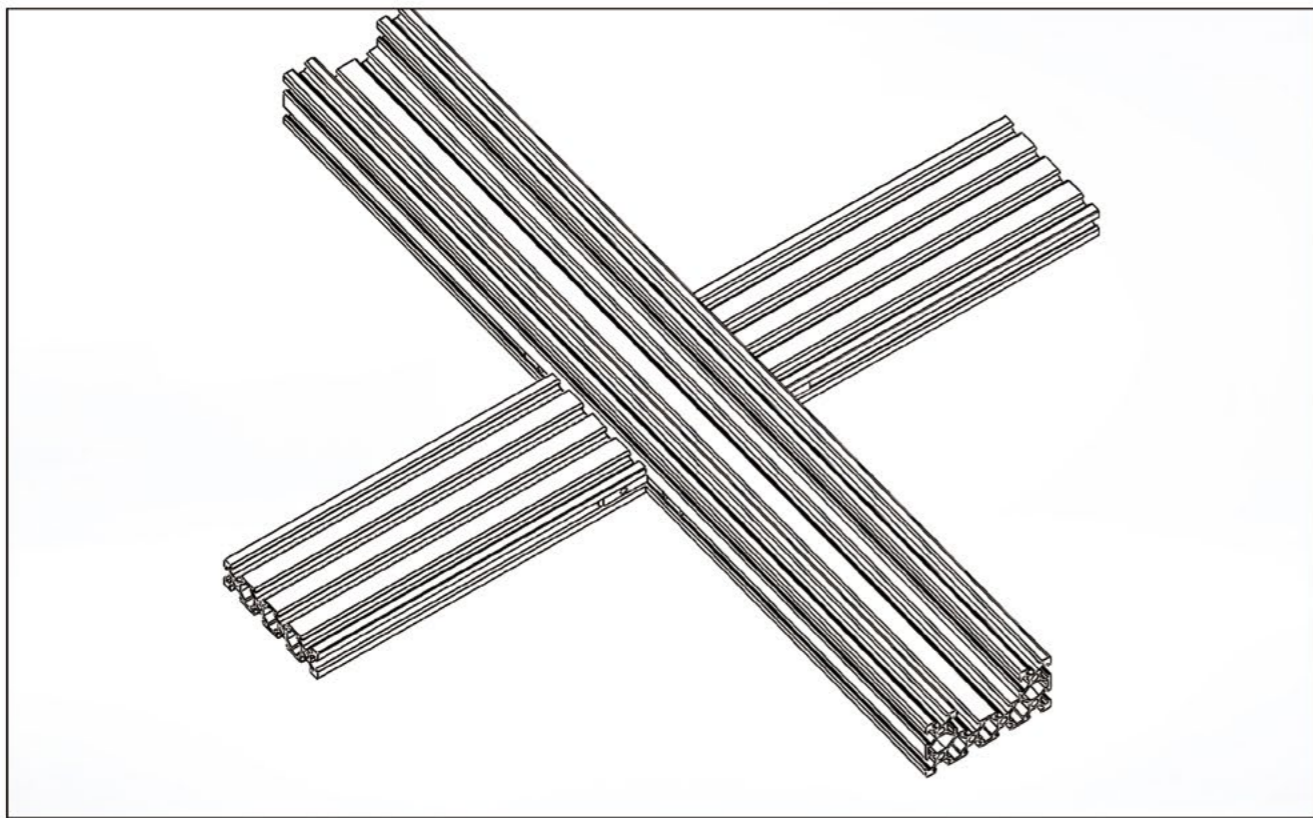
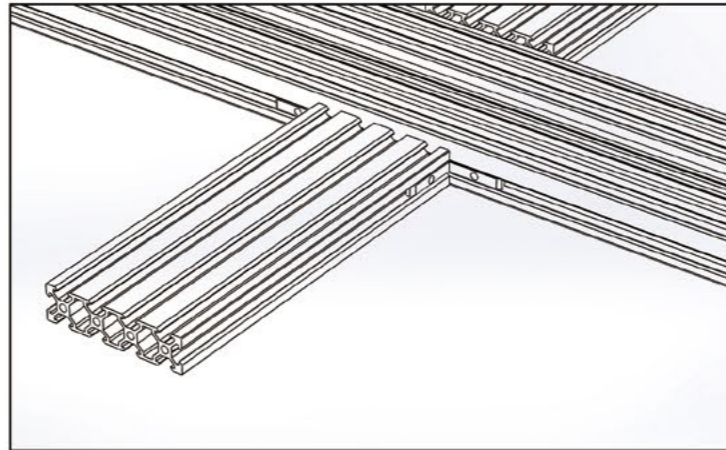
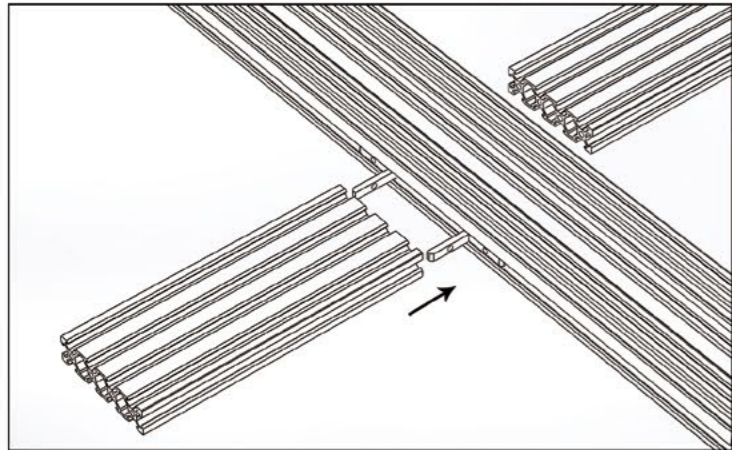
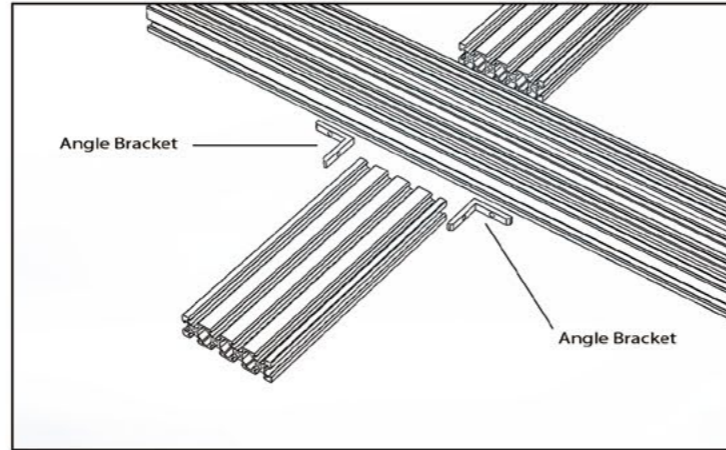
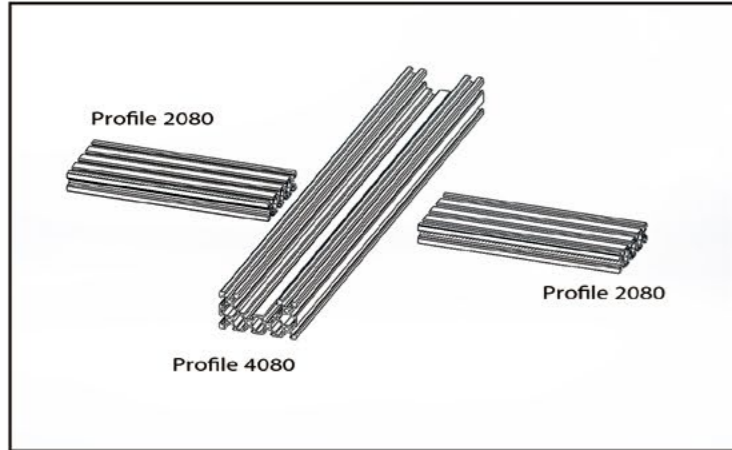


PROFILE 2080 \*2



ANGLE BRACKET \* 4

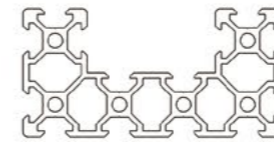
THE BOTTOM BRACKET INSTALLATION



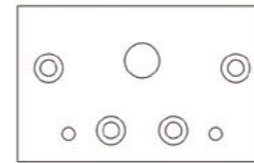
Z AXIS MOVEMENT TRACK INSTALLATION



PARTS ARE READY



➤ PROFILE 4080 \* 2

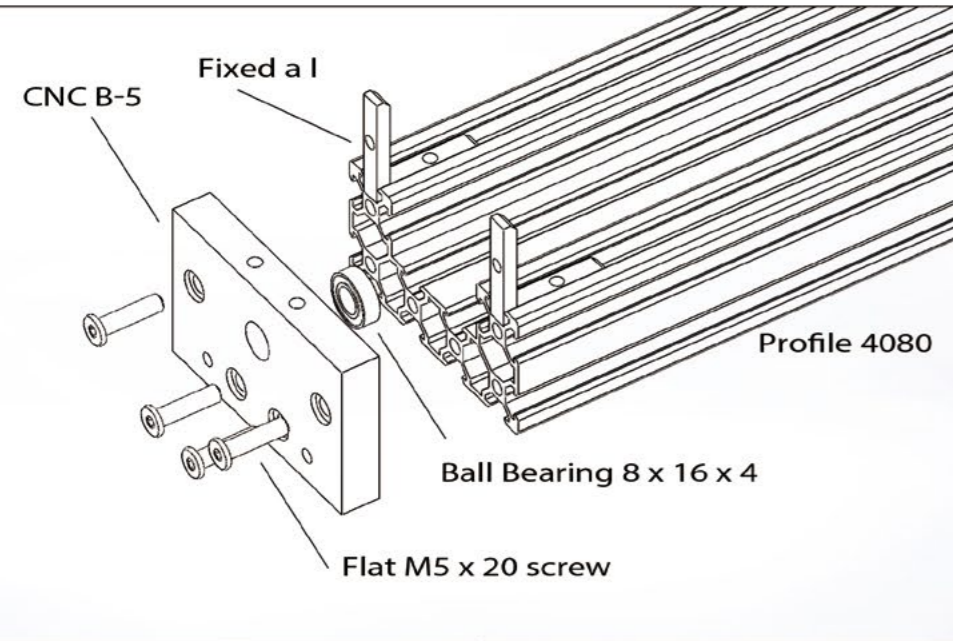


➤ CNC B-5  
CNC B-6

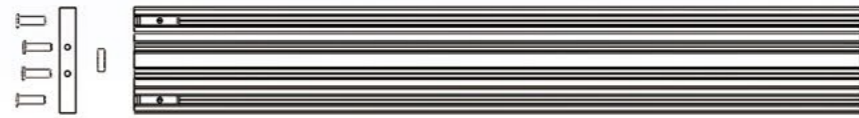


➤ FLAT M5 X 20 SCREW \* 8  
BALL BEARING 8 X 16 X 4 \* 2  
ANGLE BRACKET \* 4

Z AXIS MOVEMENT TRACK INSTALLATION



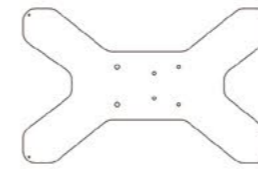
Repeat install a,  
a total of 2 Z axis



BED FRAME INSTALLATION



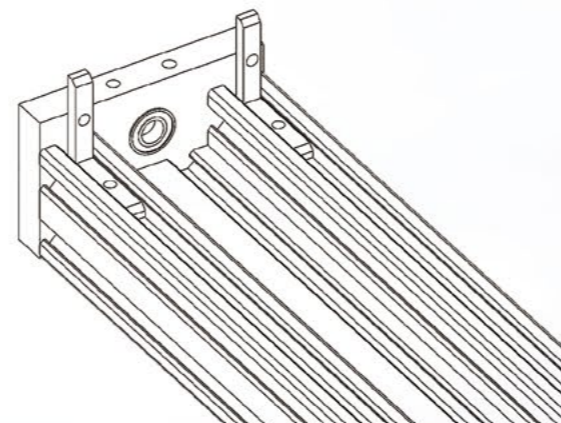
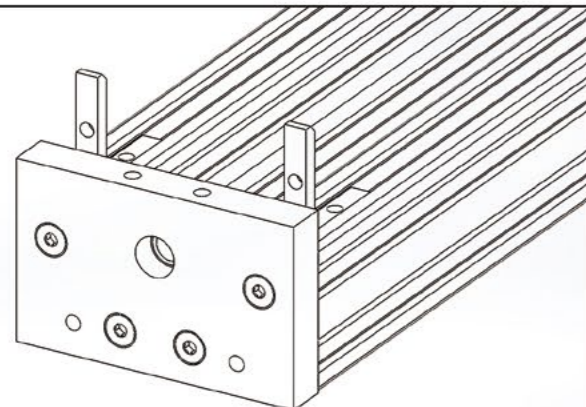
PARTS  
ARE READY

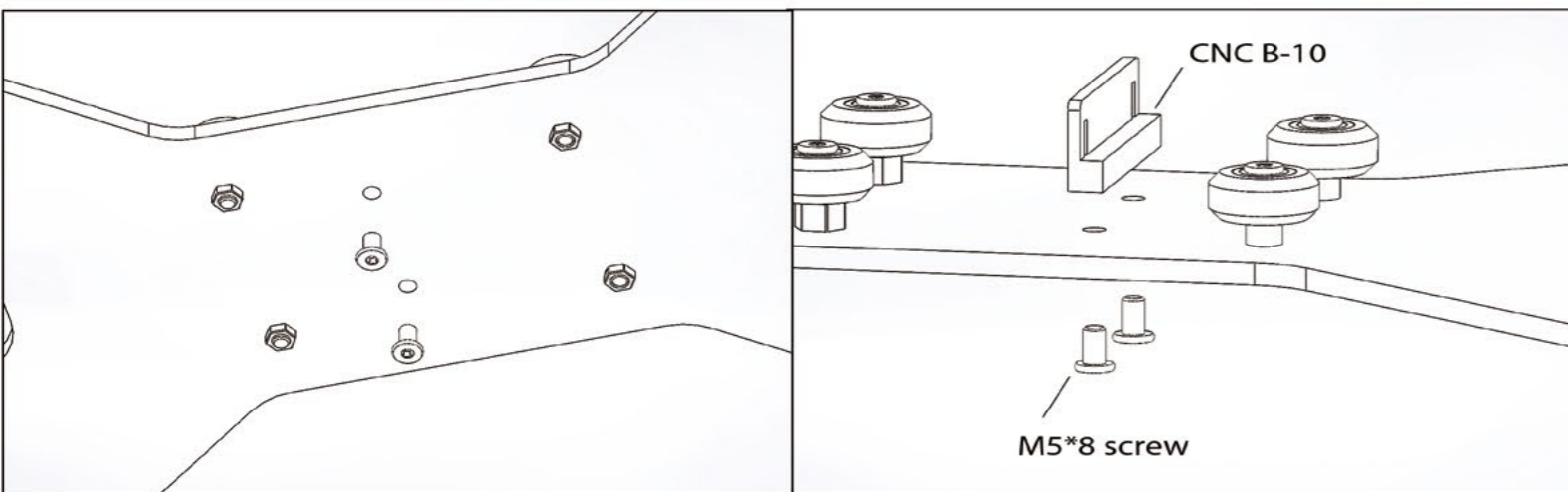
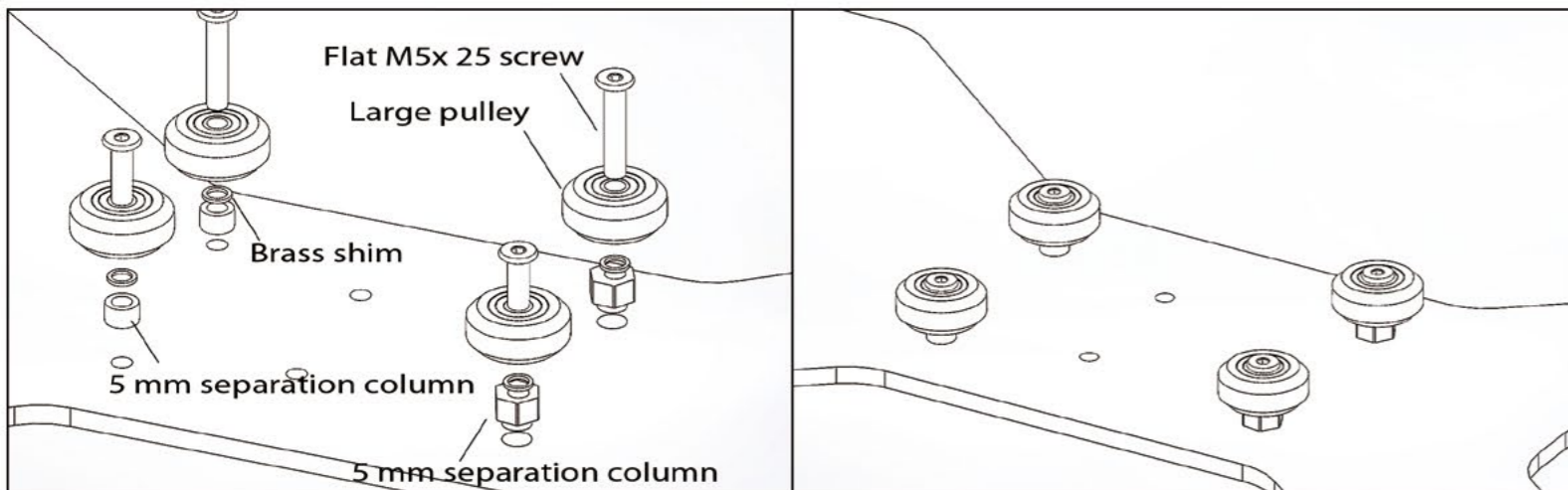
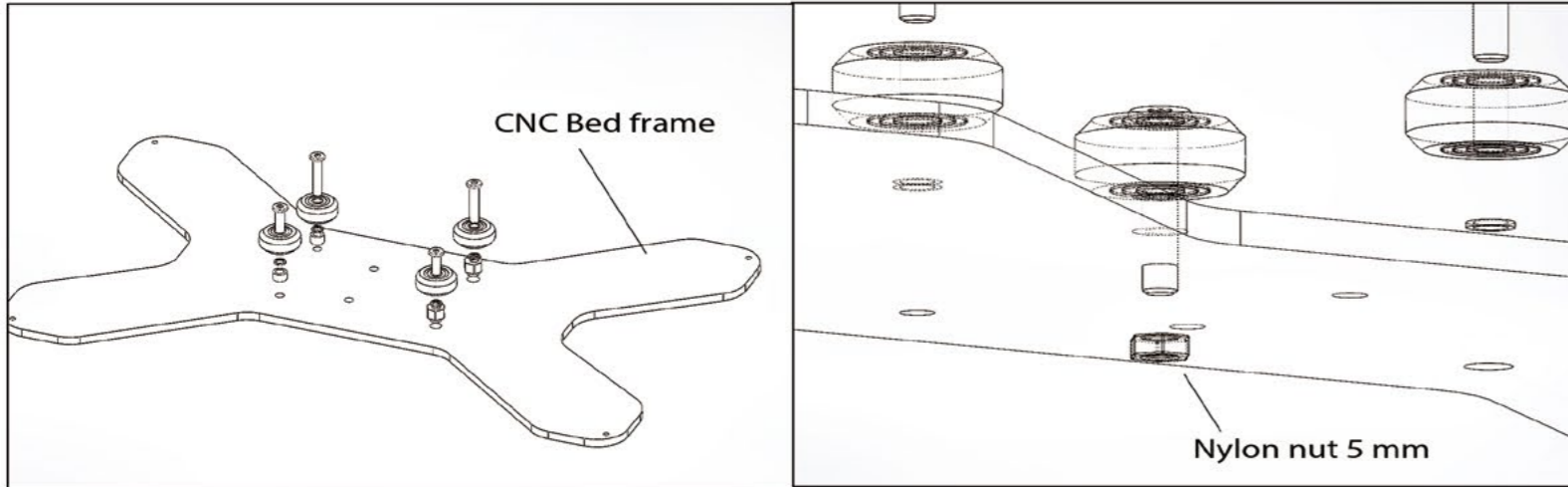


CNC Bed frame  
CNC B-10

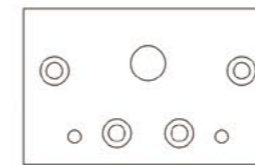


Flat M5 x 25 screw \* 4  
5 mm separation column \*2  
Eccentric nut \*2  
Brass shim \*4  
Large pulley \* 4  
Nylon nut 5 mm\*4  
M5 \*8 screw\*2





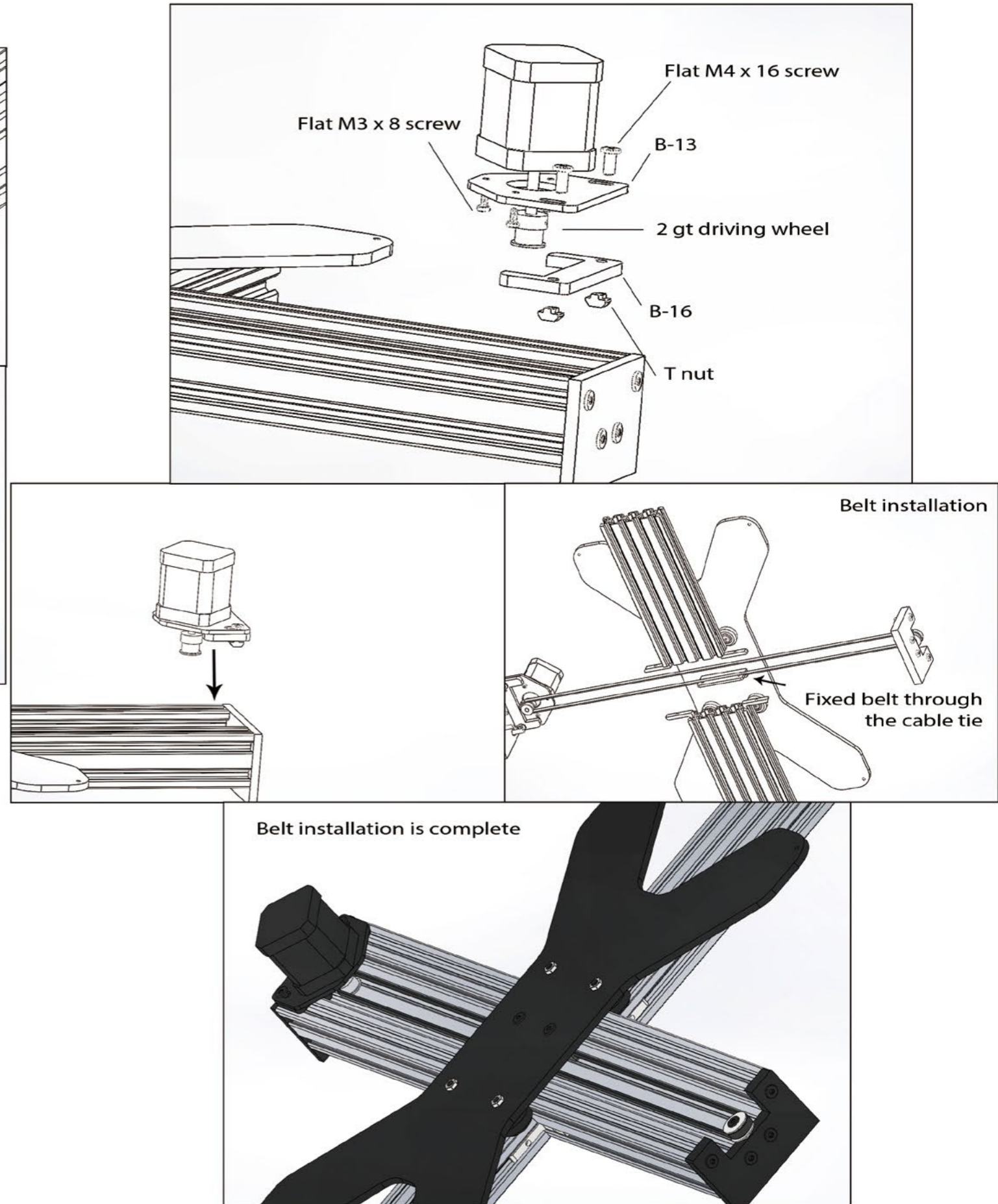
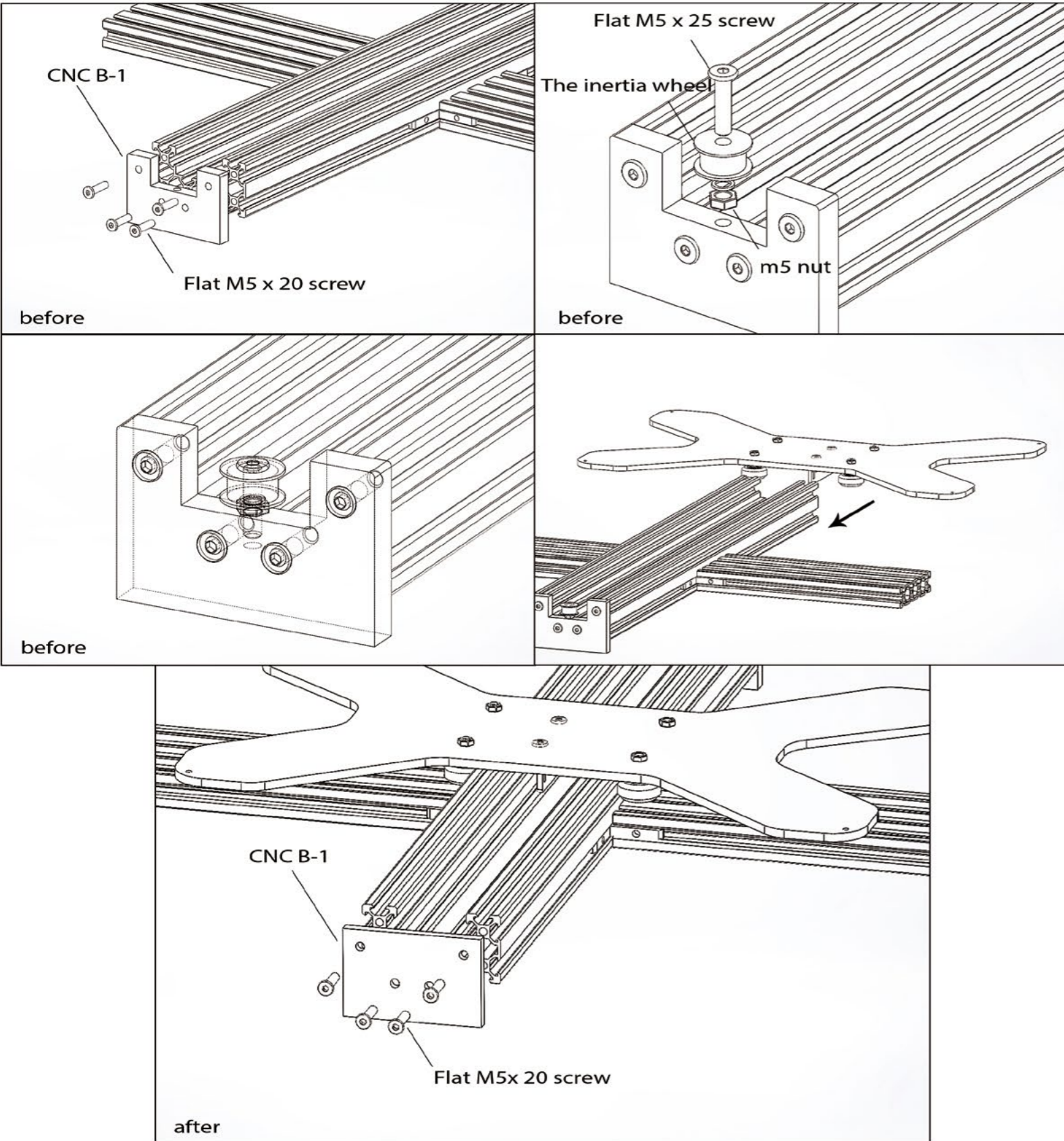
PARTS ARE READY



- ▶ CNC B-1
- ▶ CNC B-2
- ▶ B-13
- ▶ B-16

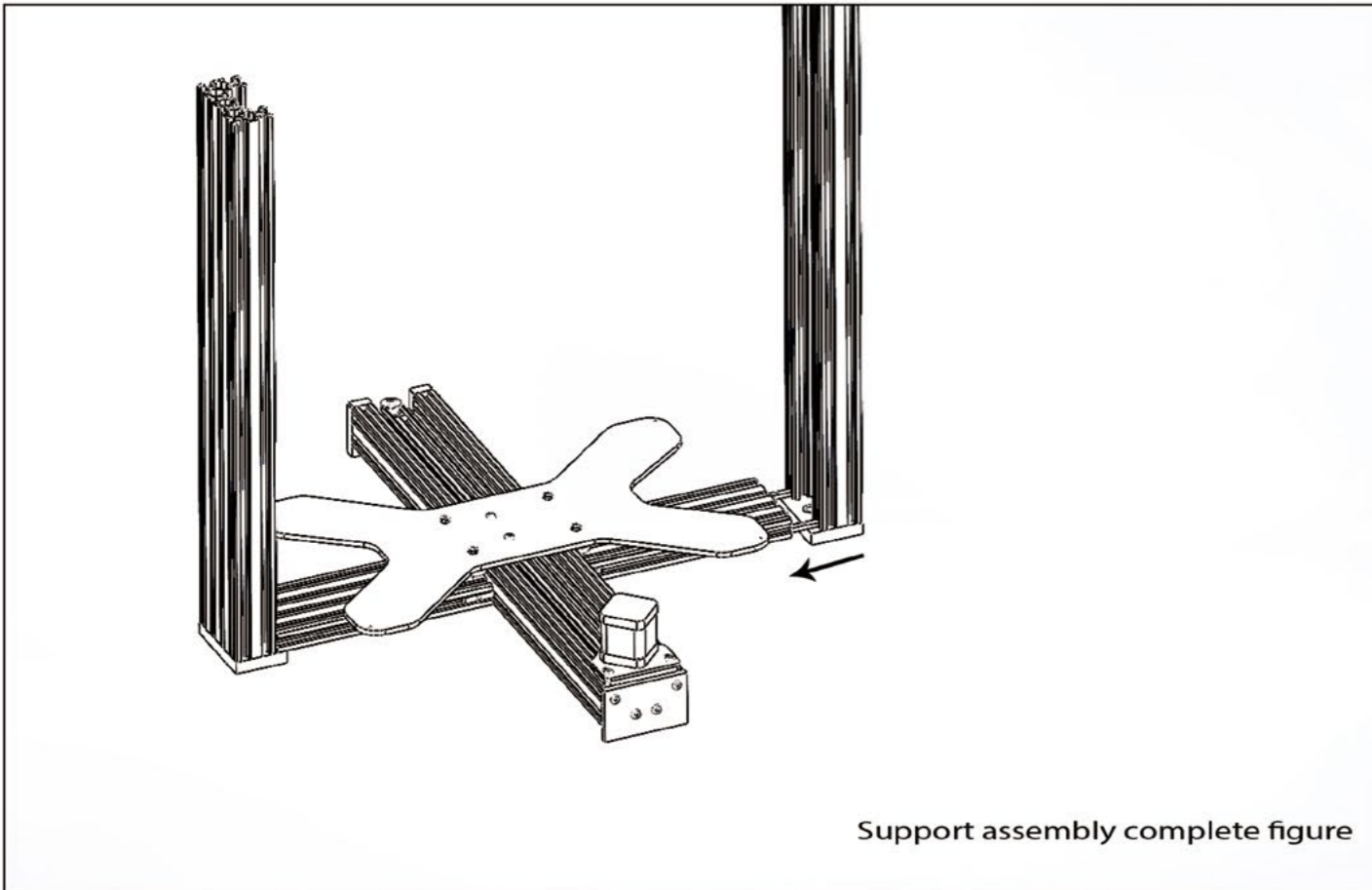
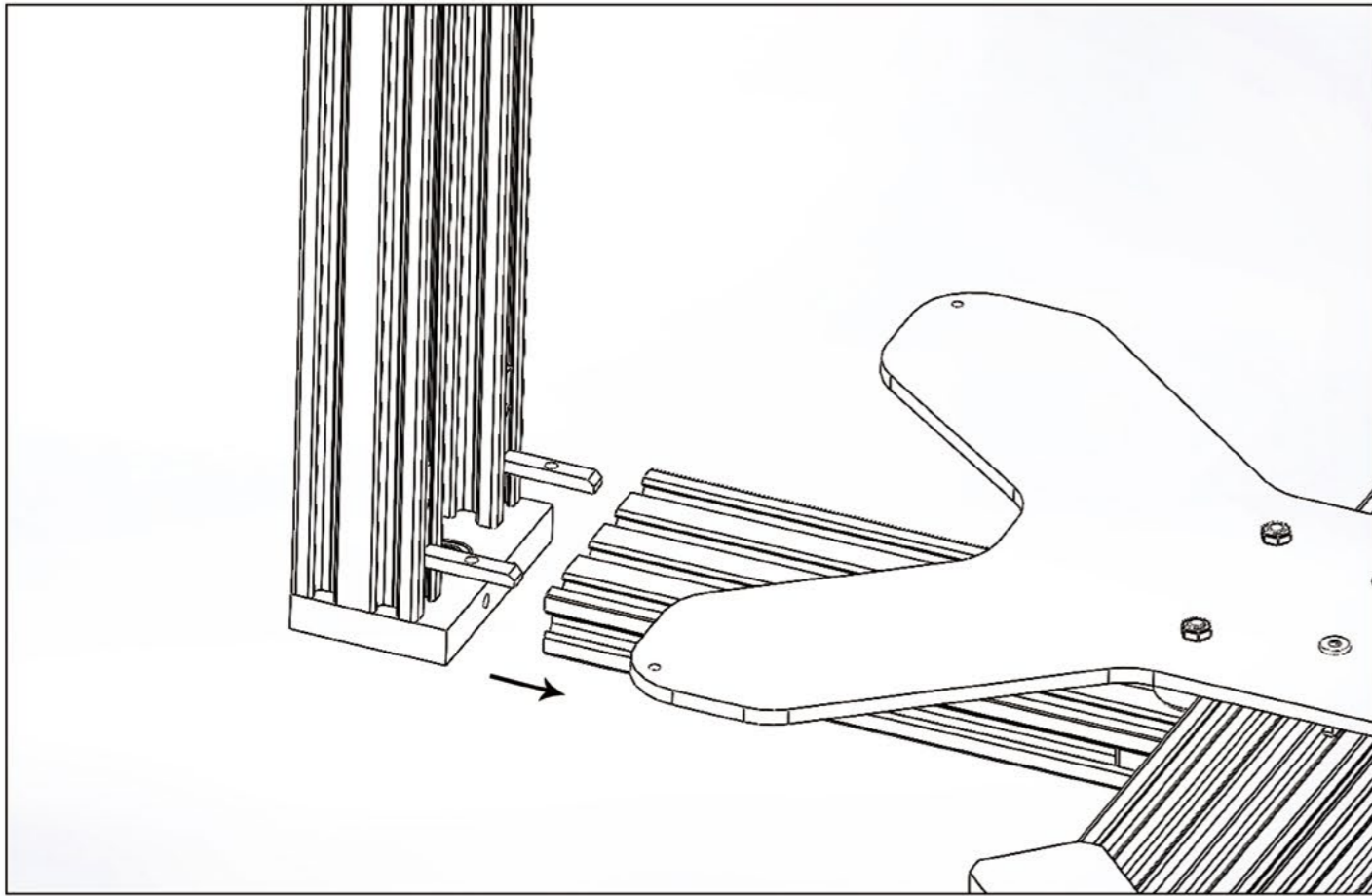


- ▶ Flat M5 x 25 screw \* 1
- ▶ Flat M5 x 20 screw \* 8
- ▶ Flat M4 x 16 screw \* 2
- ▶ Flat M3 x 8 screw \* 3
- ▶ Eccentric nut \* 2
- ▶ Inertia wheel
- ▶ m5 nut \* 1
- ▶ T nut \* 2
- ▶ 2 gt driving wheel





Y AXIS ASSEMBLY

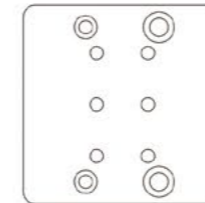


Support assembly complete figure

X AXIS ASSEMBLY



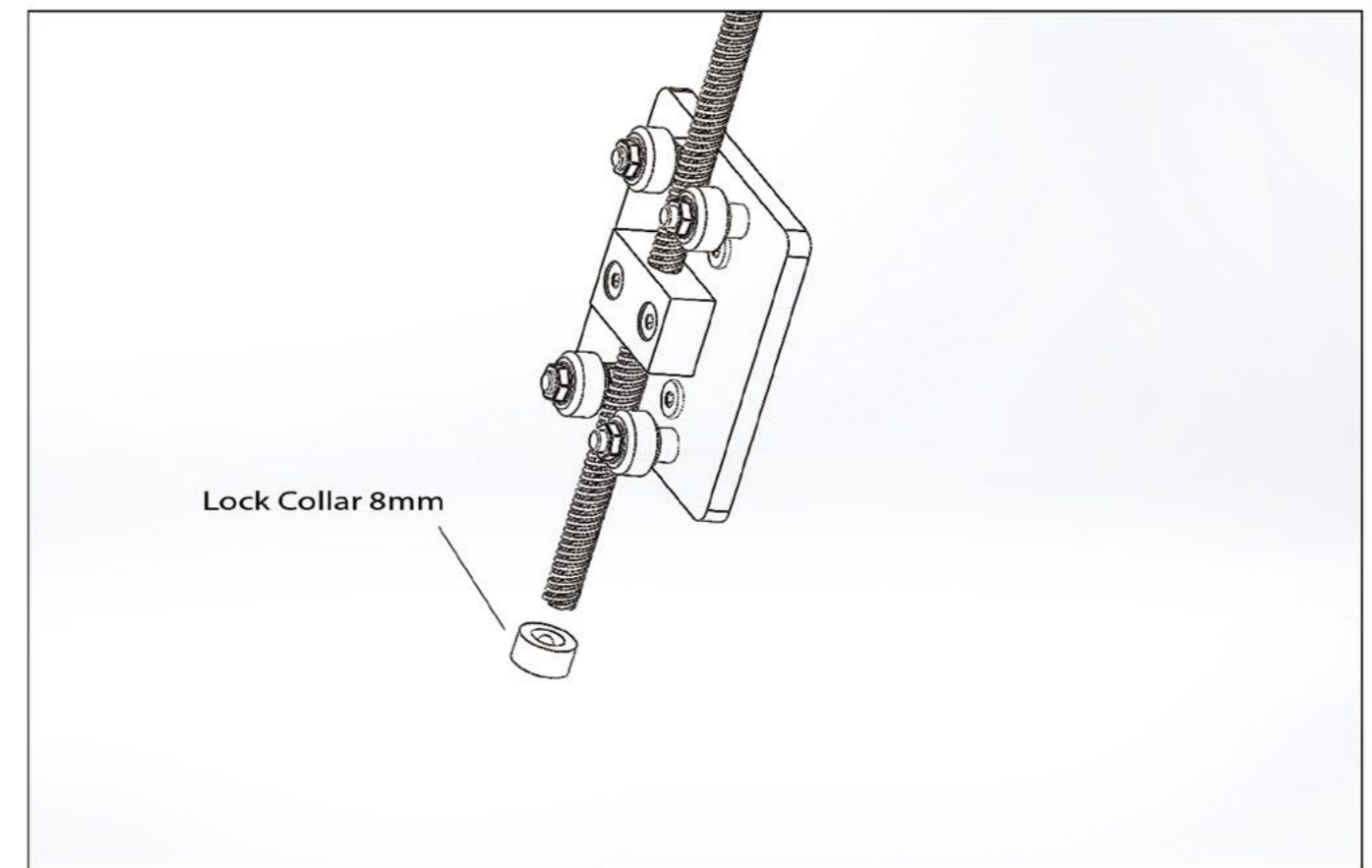
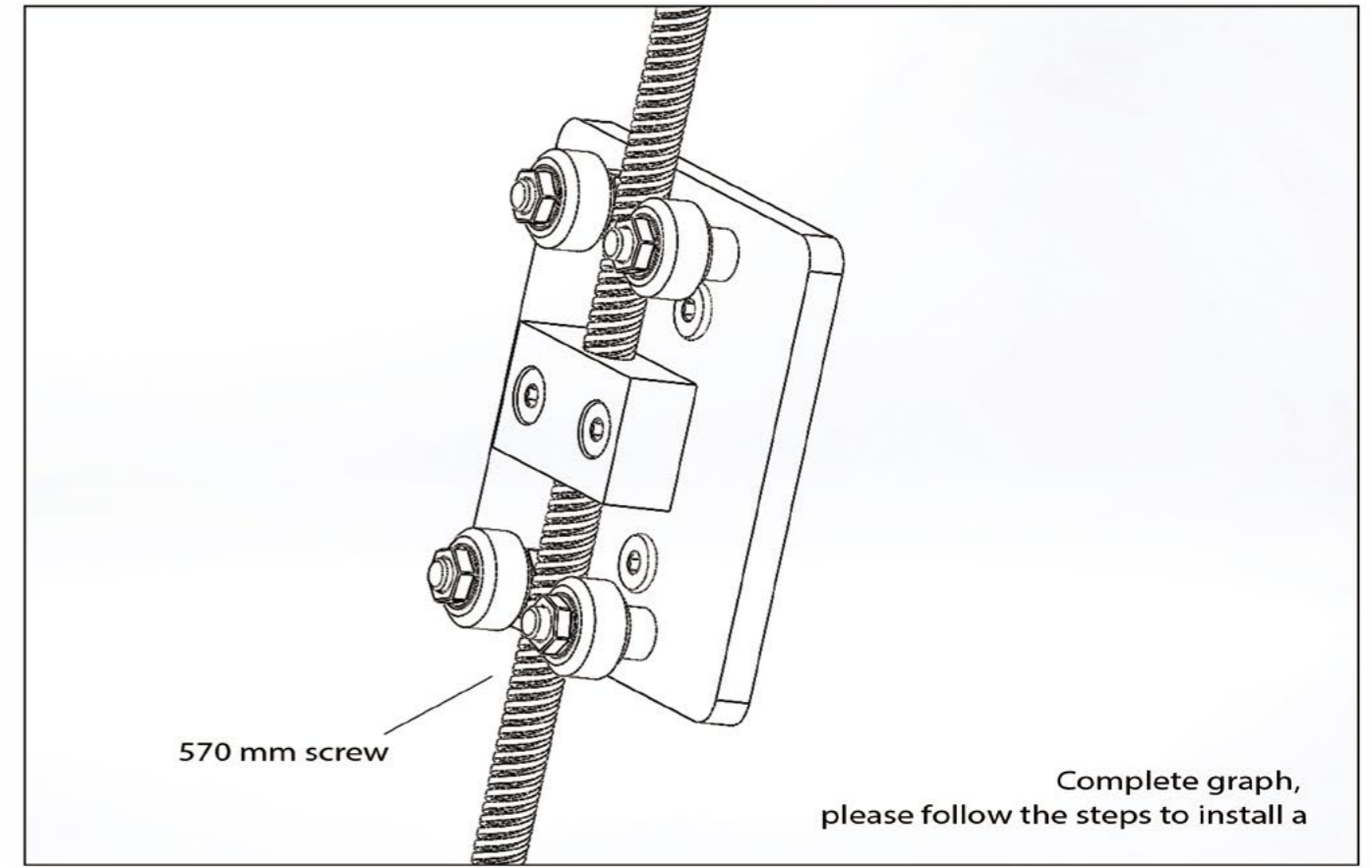
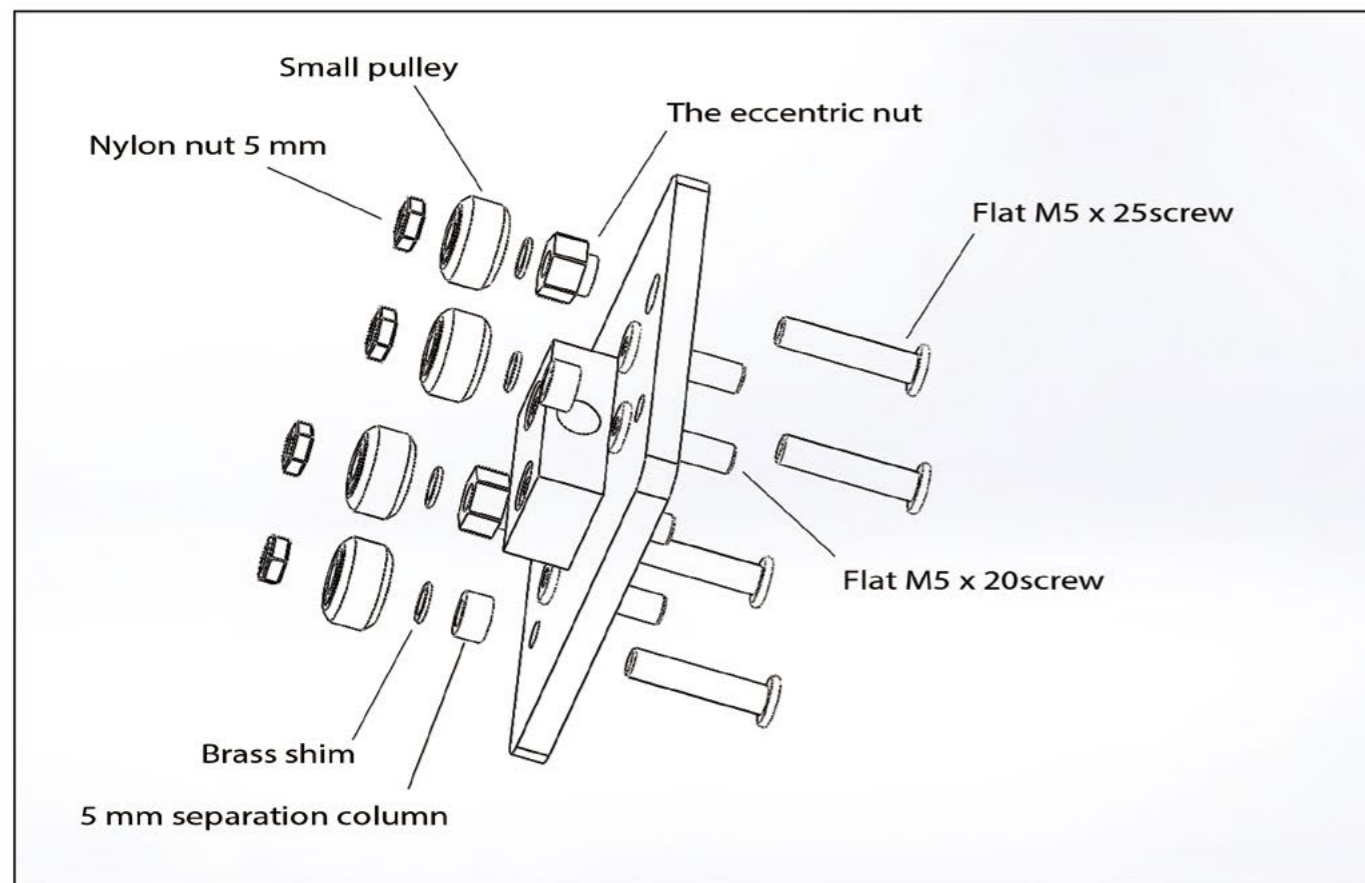
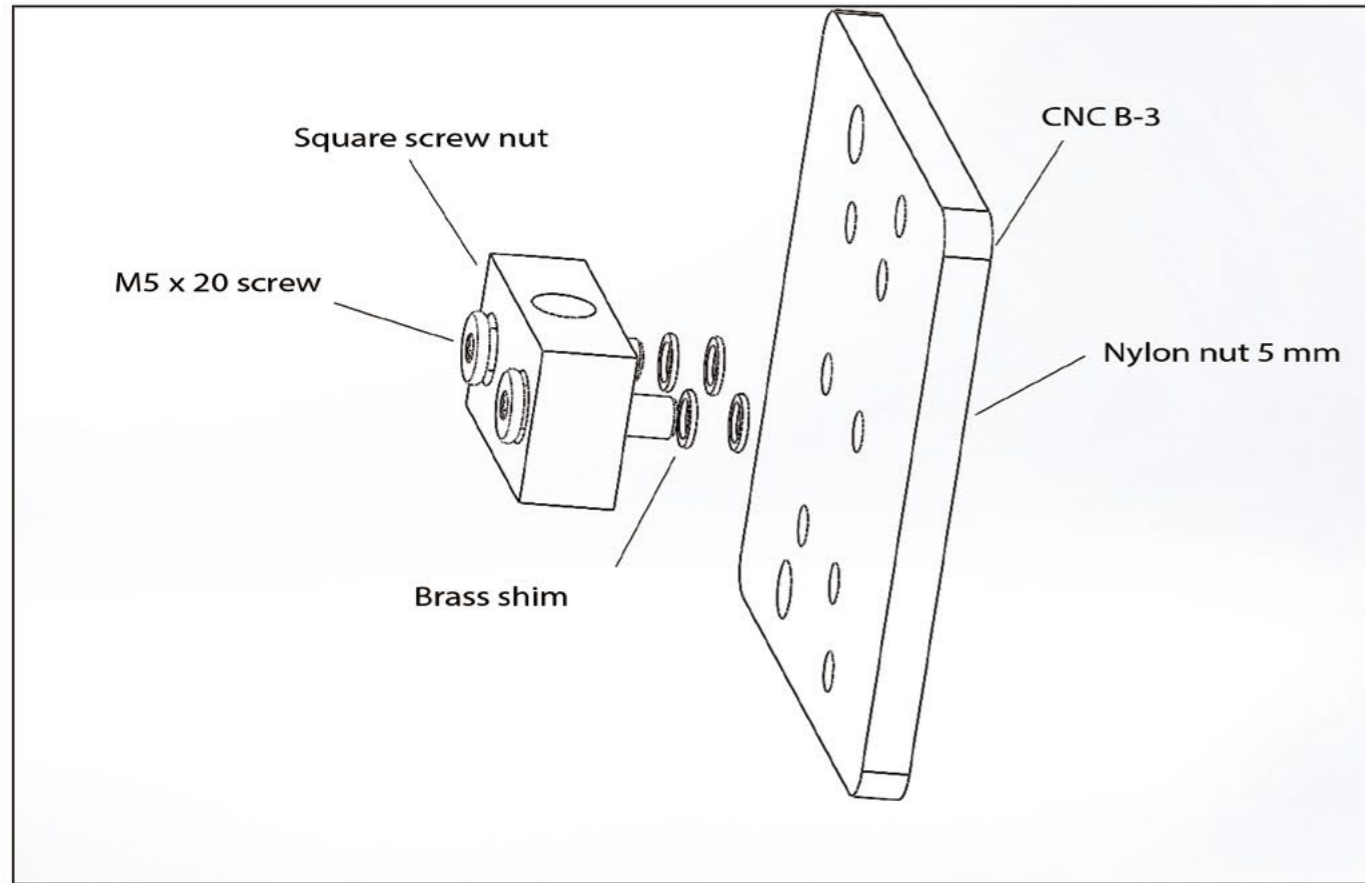
PARTS ARE READY

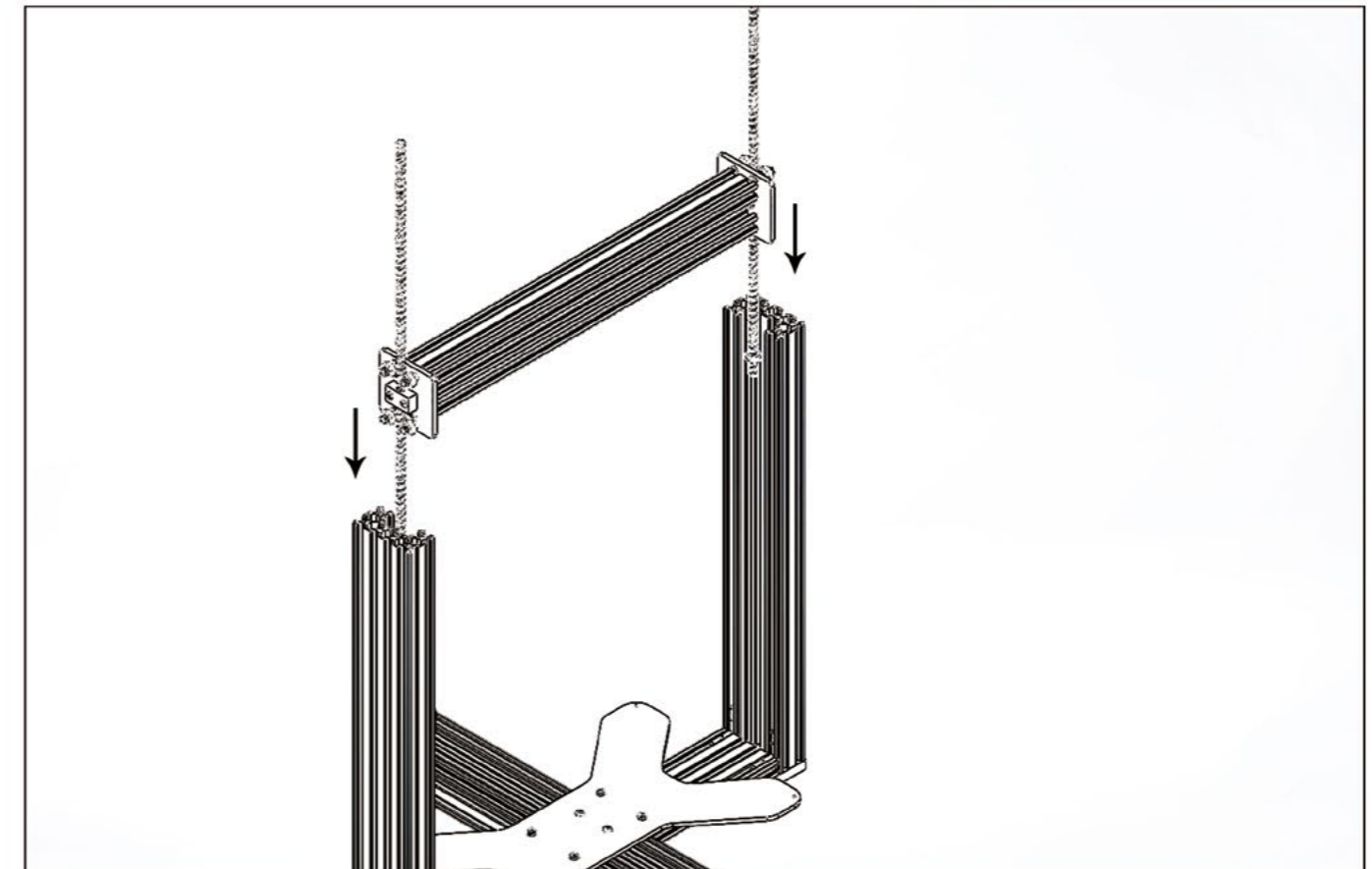
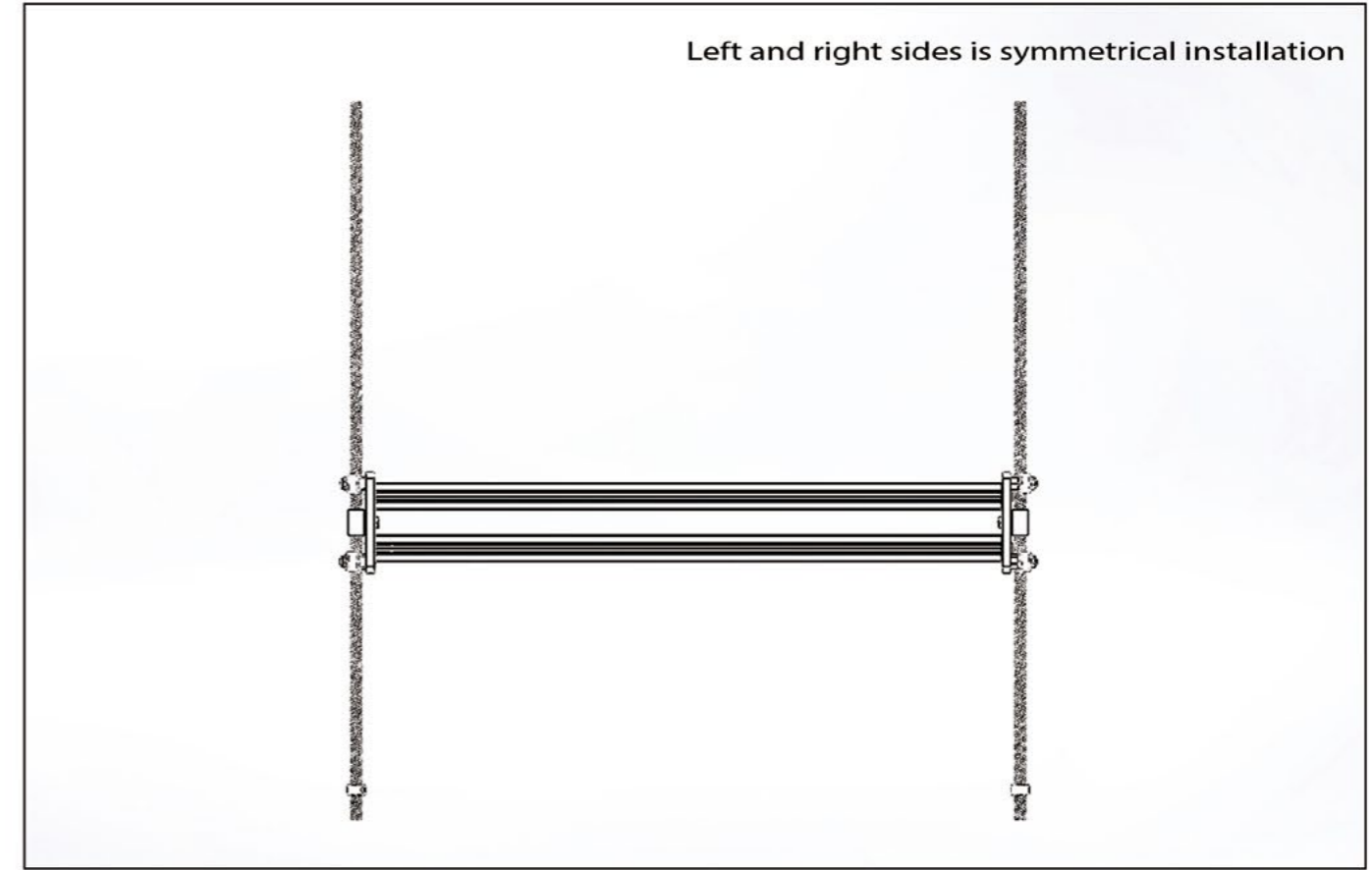
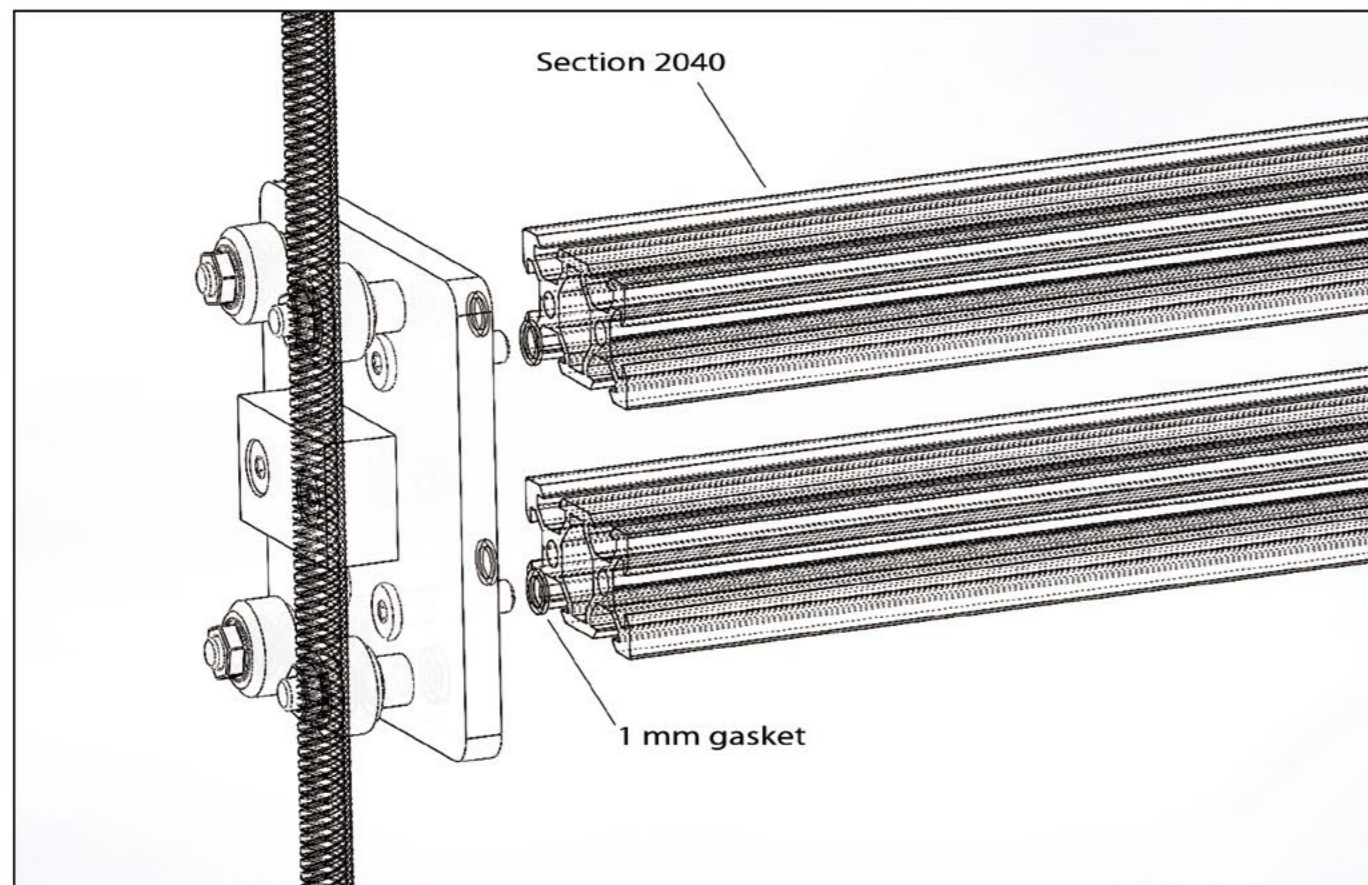
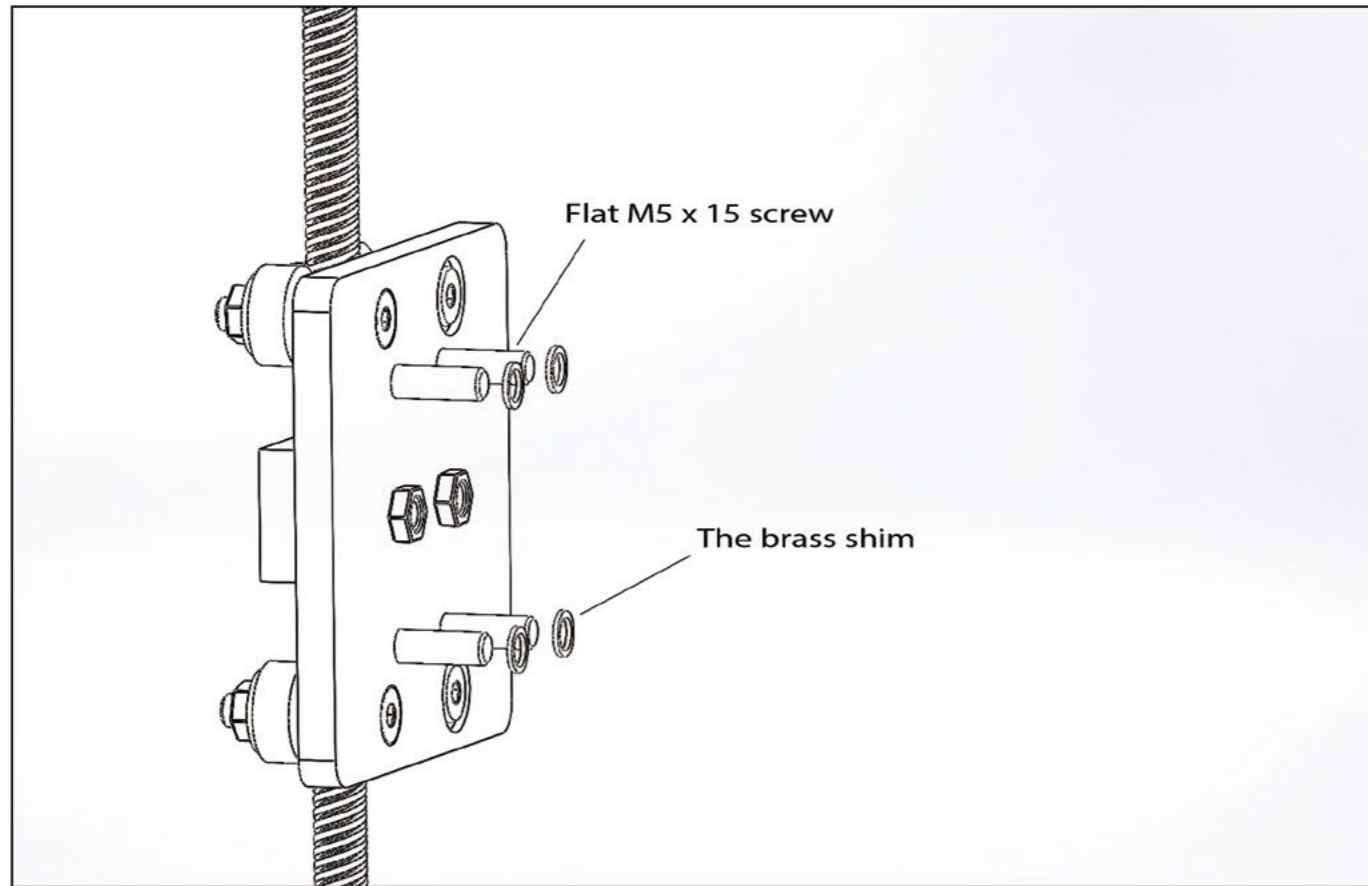


CNC B-3  
CNC B-4

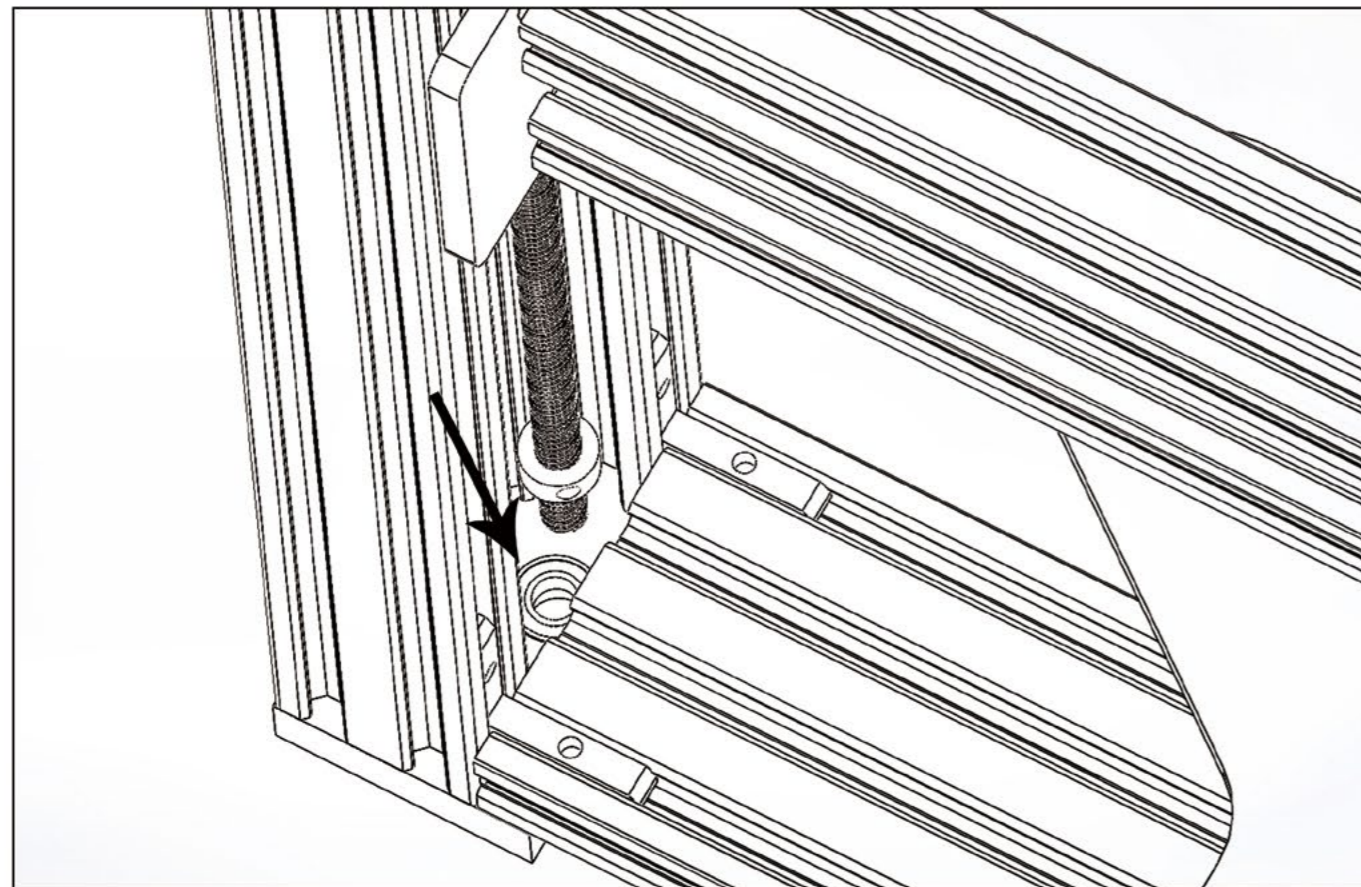
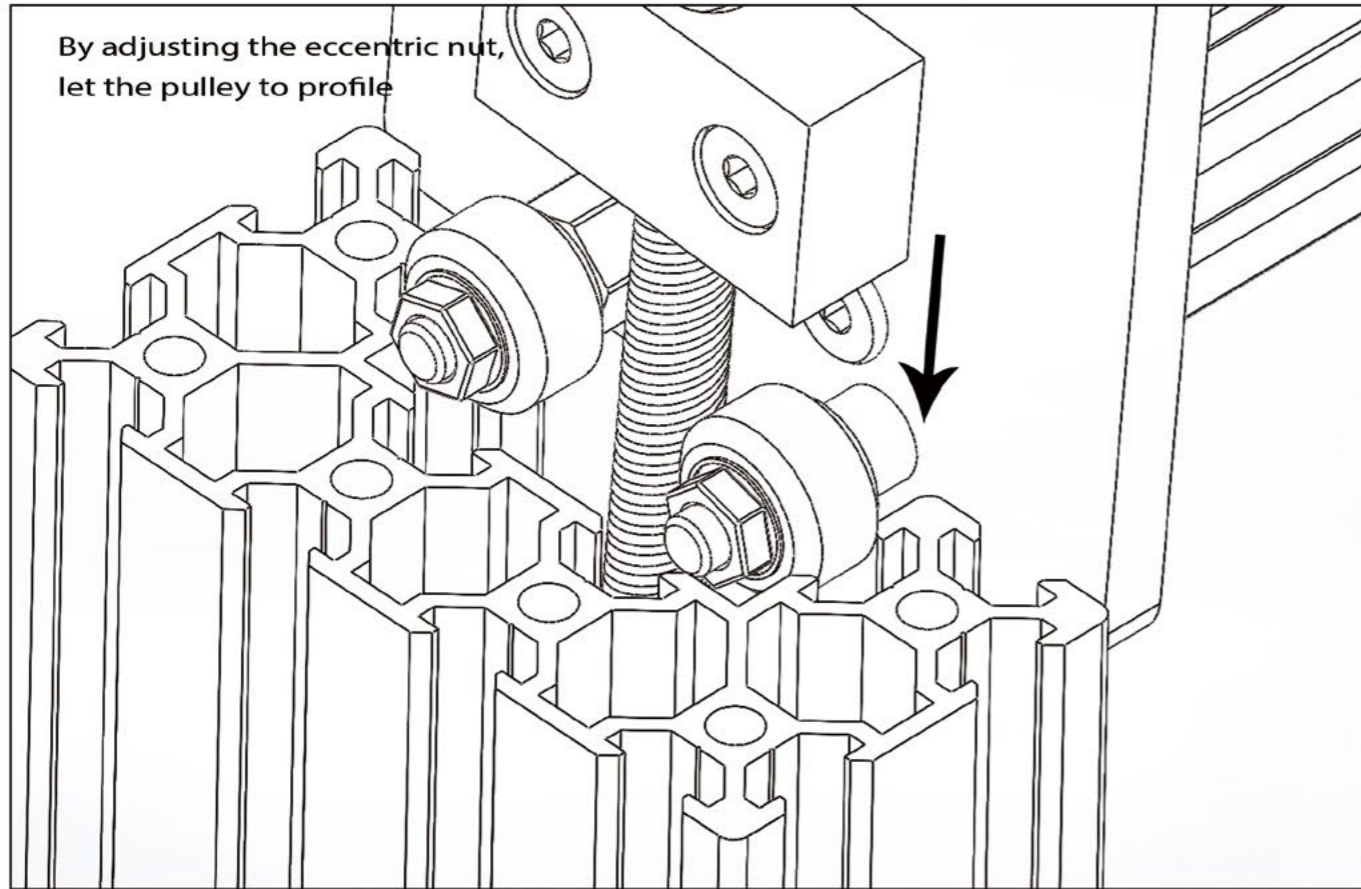


- Flat M5 x 25 screw \* 12
- Flat M5 x 15 screw \* 8
- Eccentric nut \*4
- Small pulley \*8
- Nylon nut 5 mm \*12
- Brass shim \*16
- 1 mm gasket \*8
- 5 mm separation column \*4
- Square screw nut \*2
- 2 gt belt wheel \*2
- Ball Bearing 8 x 16 x 5 \*2
- 570 mm screw
- Lock Collar 8mm \*4





THE X AXIS ASSEMBLY INSTALLED



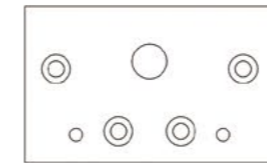
AT THE TOP OF THE SCAFFOLD



PARTS  
ARE READY



➤ PROFILE 2080



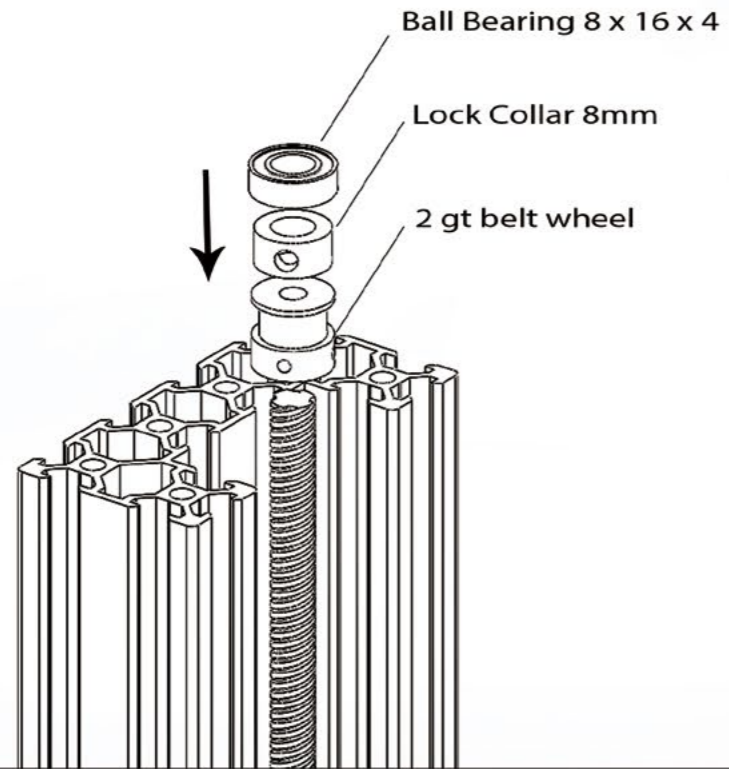
➤ CNC B-7  
CNC B-8



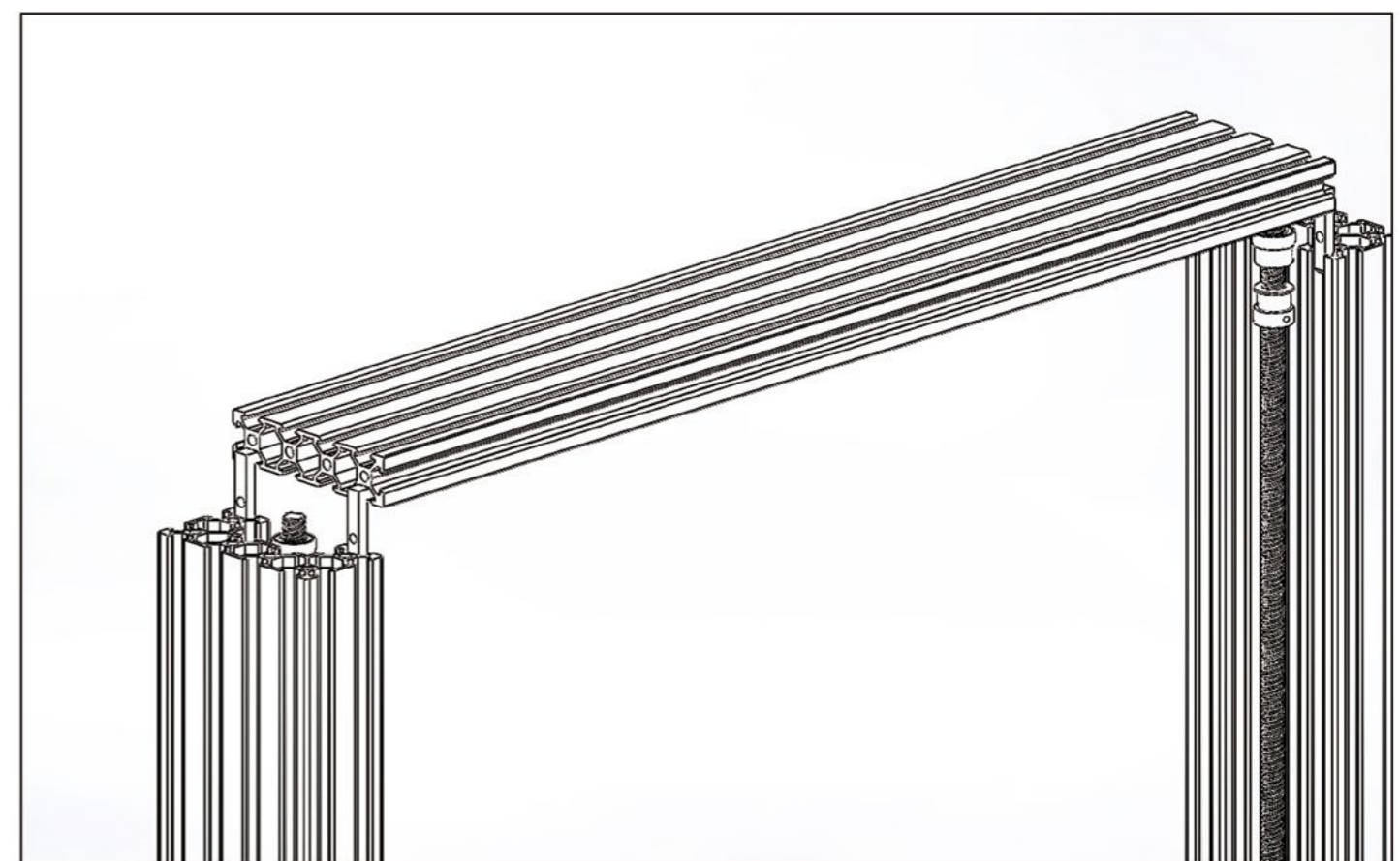
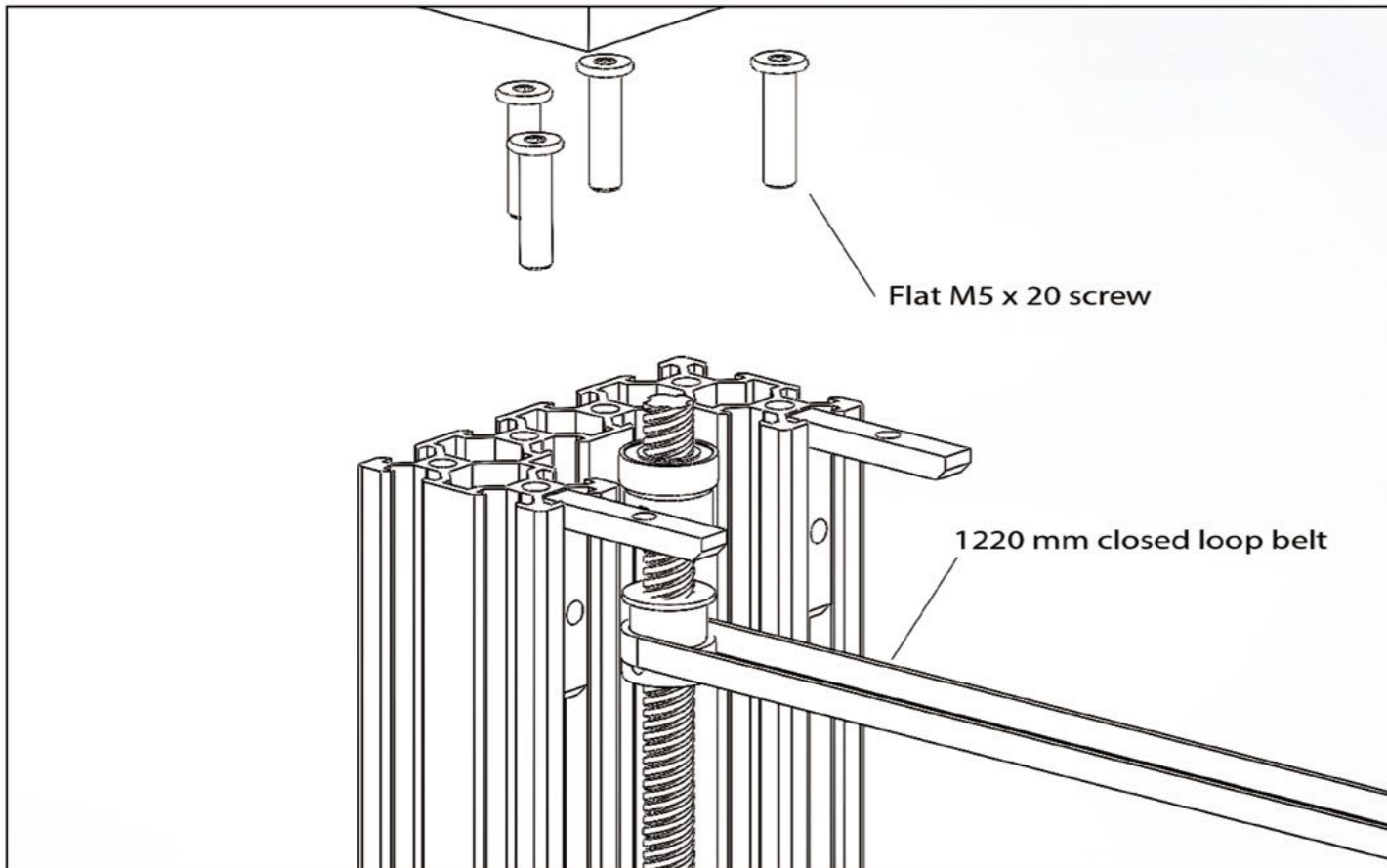
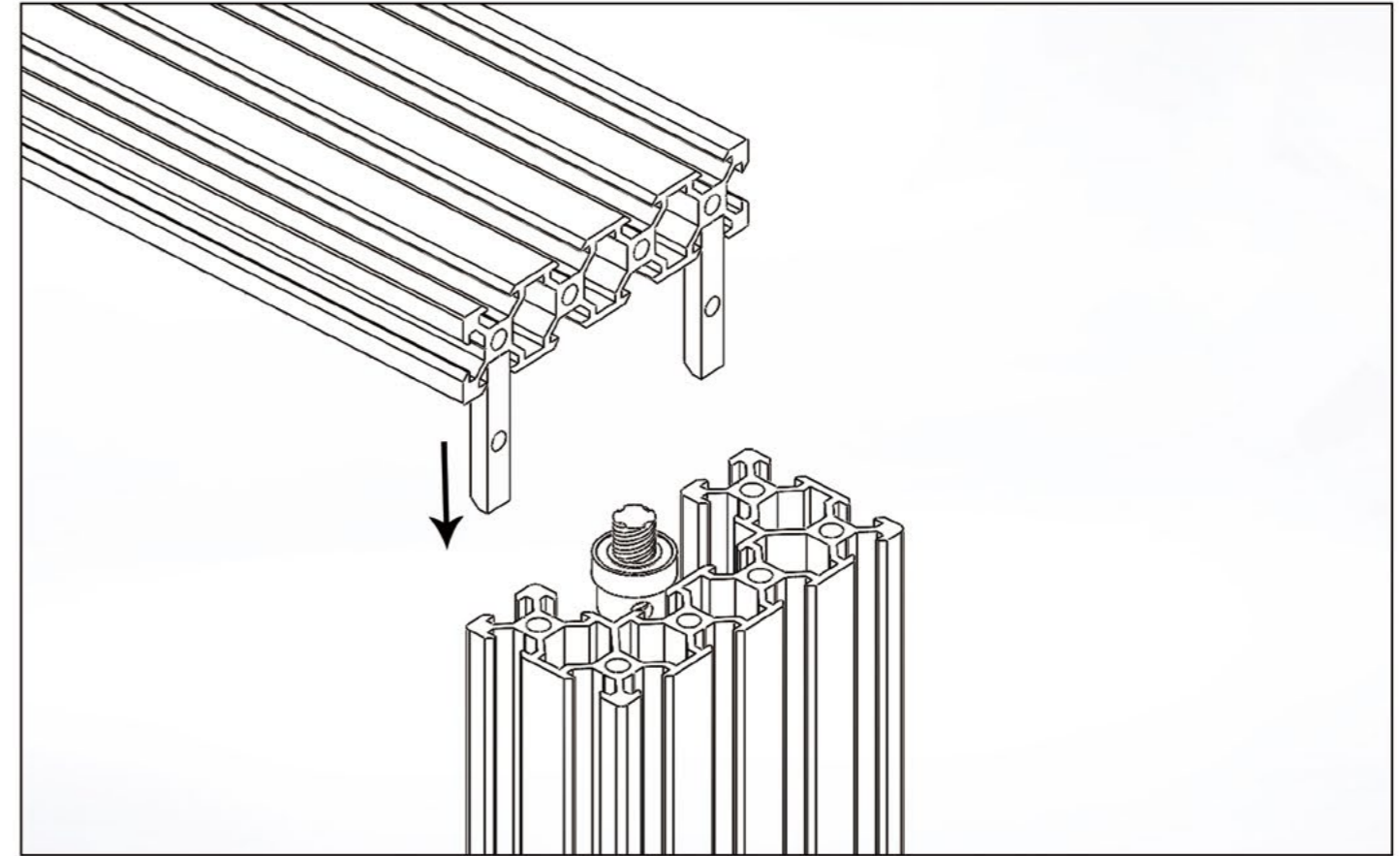
➤ Flat M5 x 20 screw \* 8  
2 gt belt wheel \*2  
Ball Bearing 8 x 16 x 4 \*2  
Lock Collar 8mm \*2  
Angle Bracket \*4  
1220 mm closed loop belt

AT THE TOP OF THE SCAFFOLD

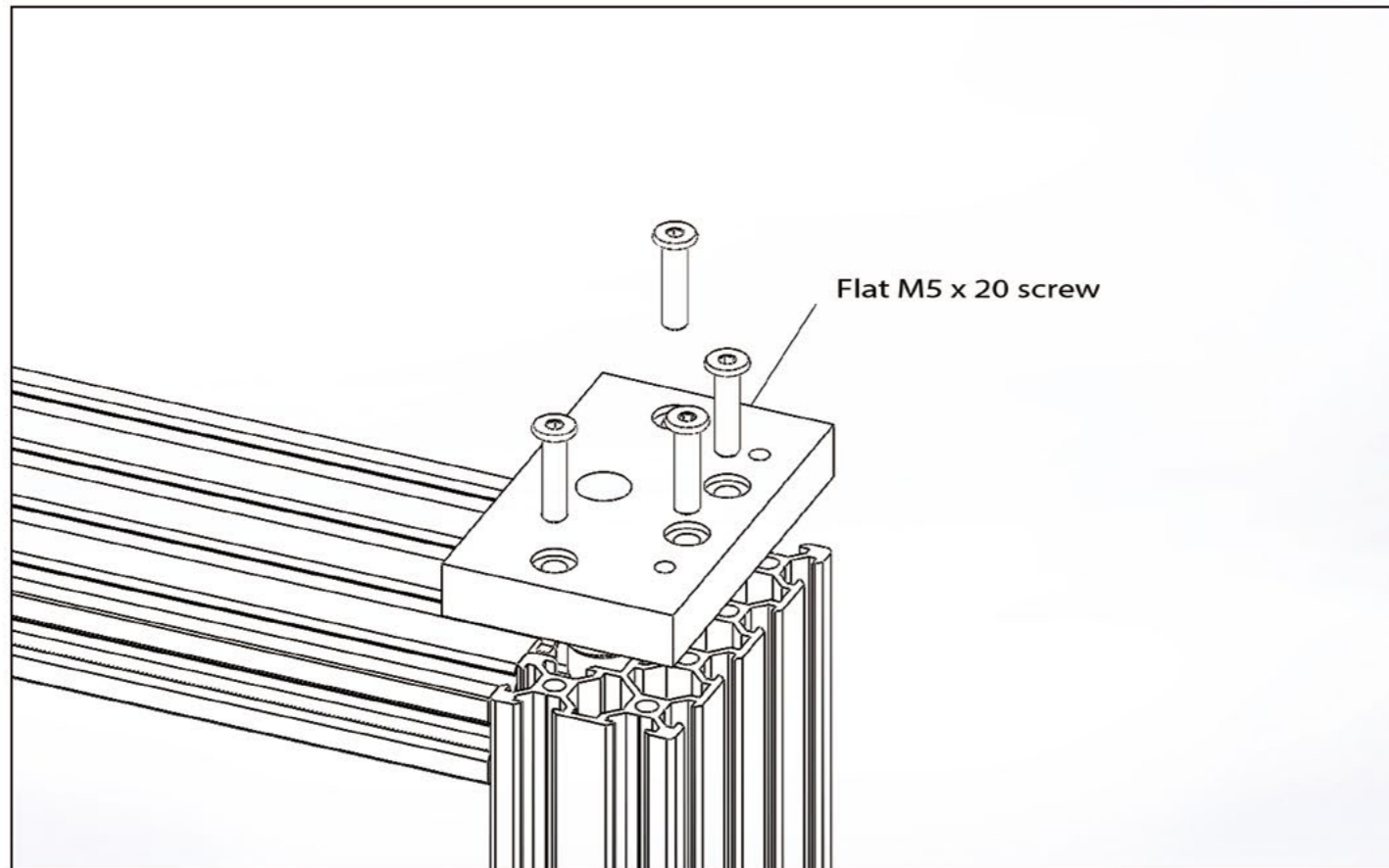
By adjusting the eccentric nut,  
let the pulley to profile



AT THE TOP OF THE SCAFFOLD



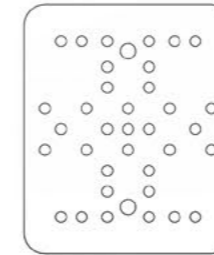
## AT THE TOP OF THE SCAFFOLD



## THE X AXIS INSTALLATION



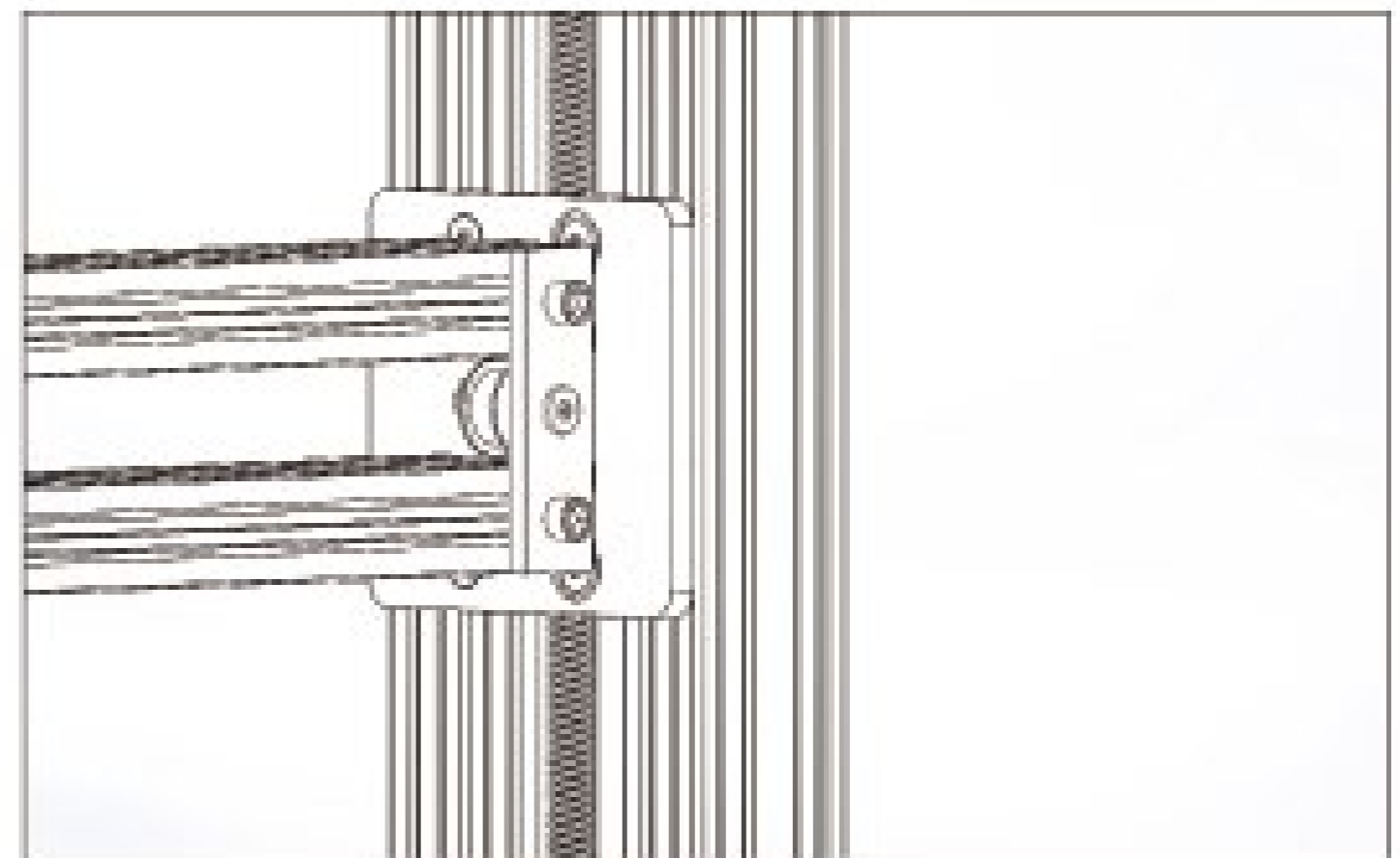
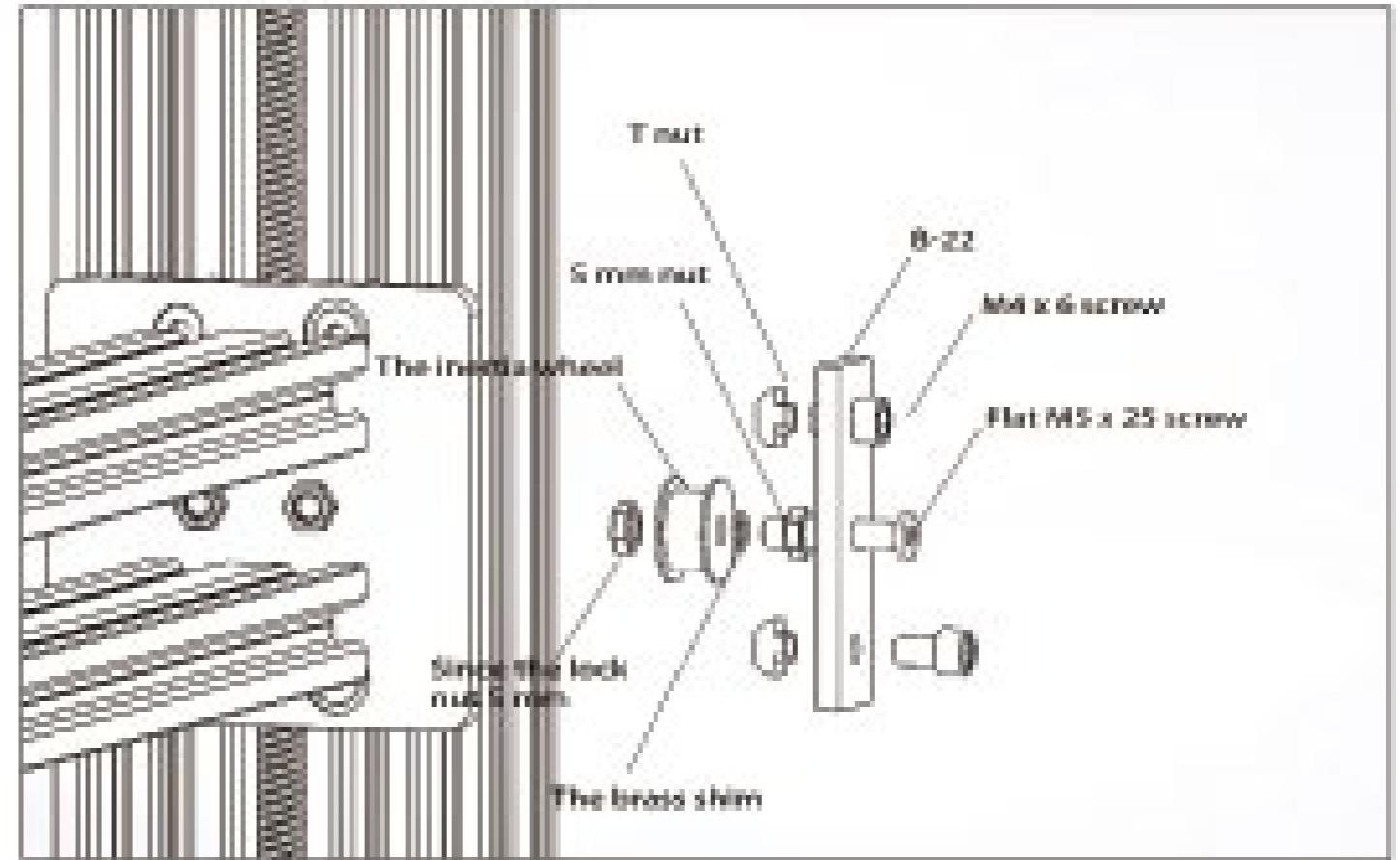
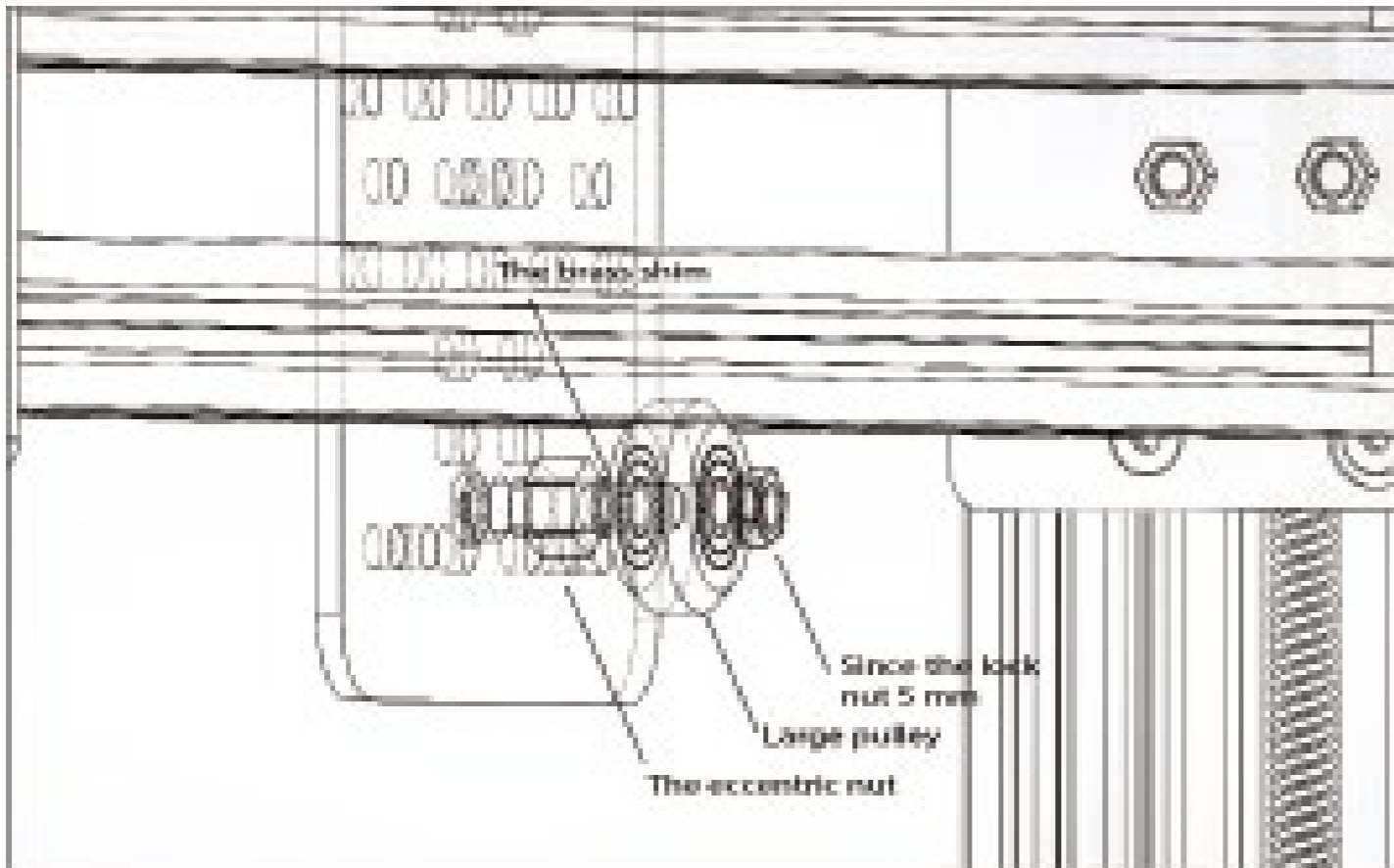
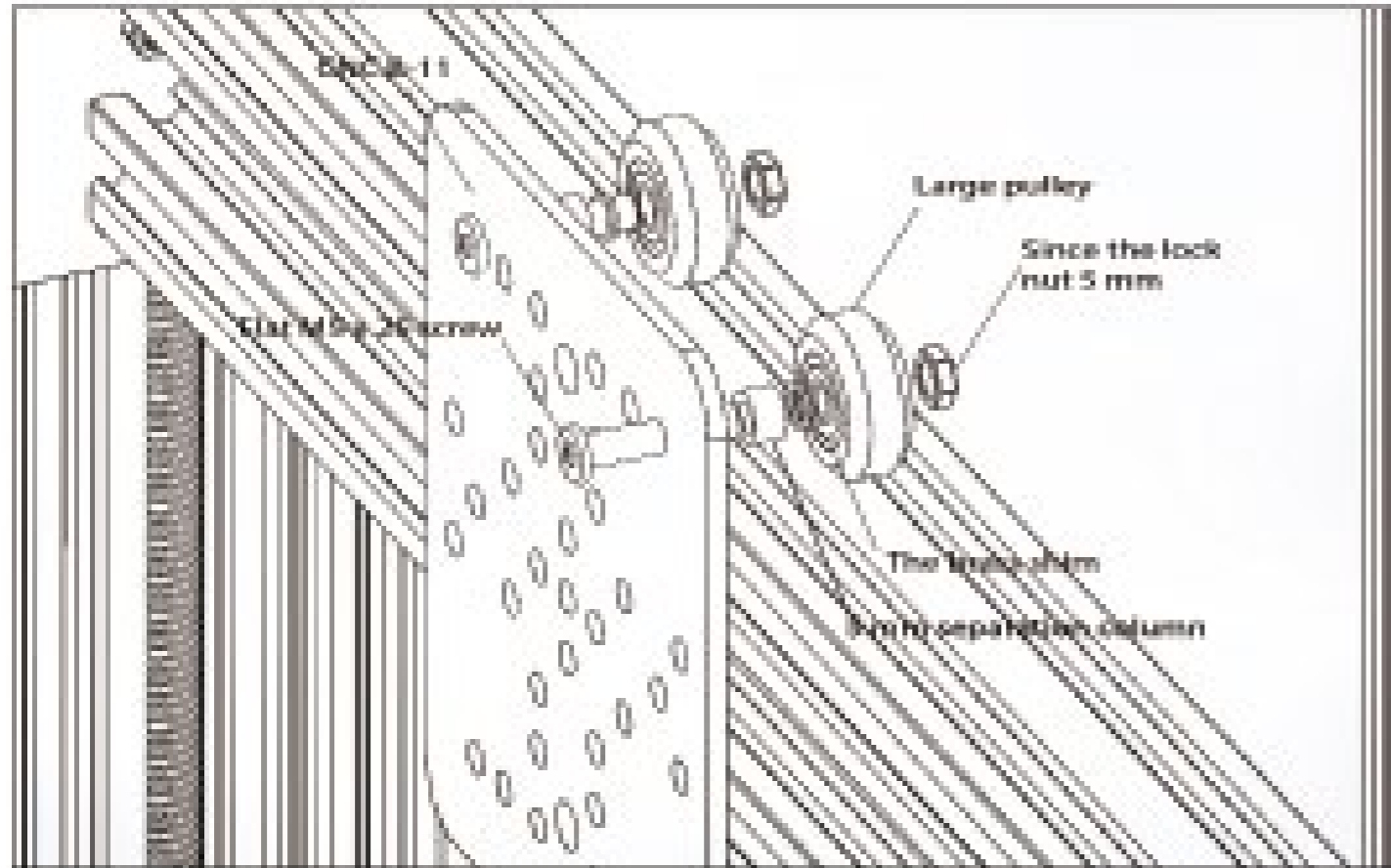
**PARTS  
ARE READY**



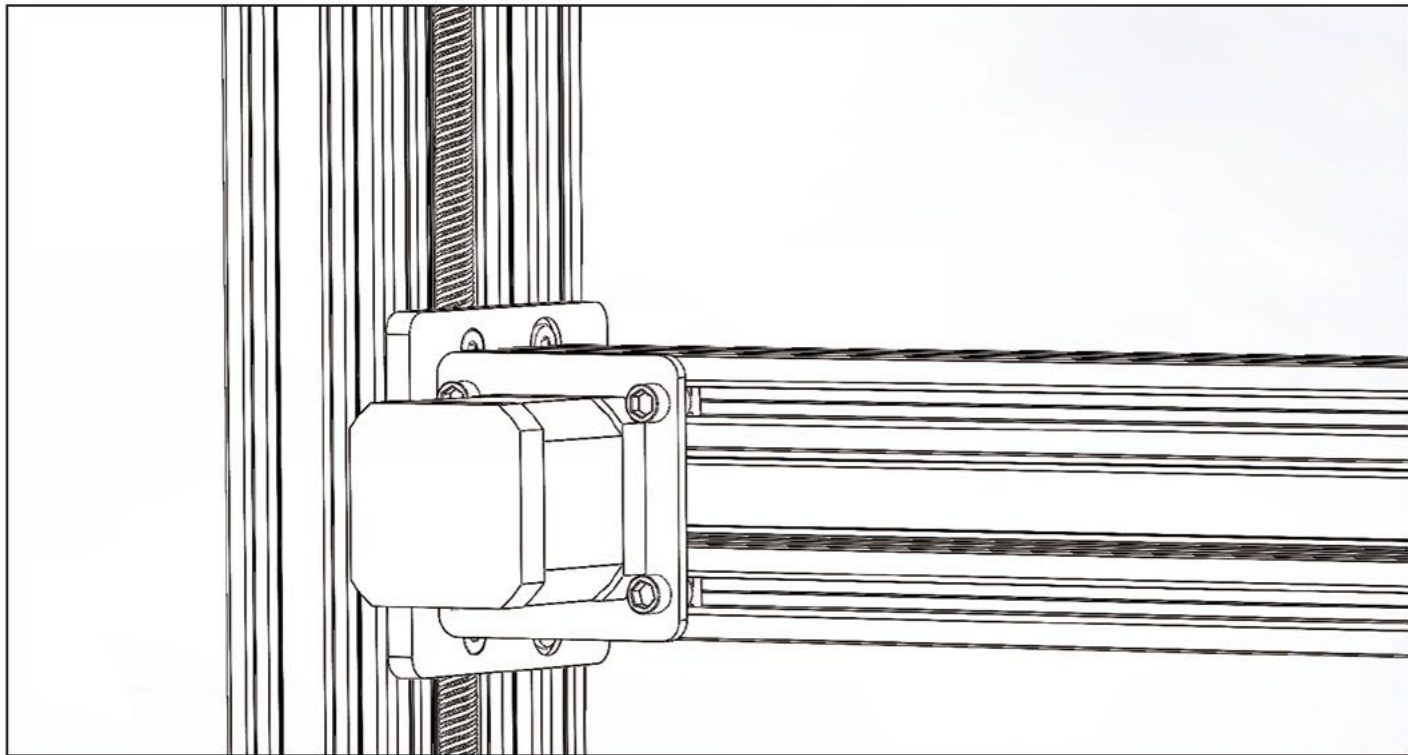
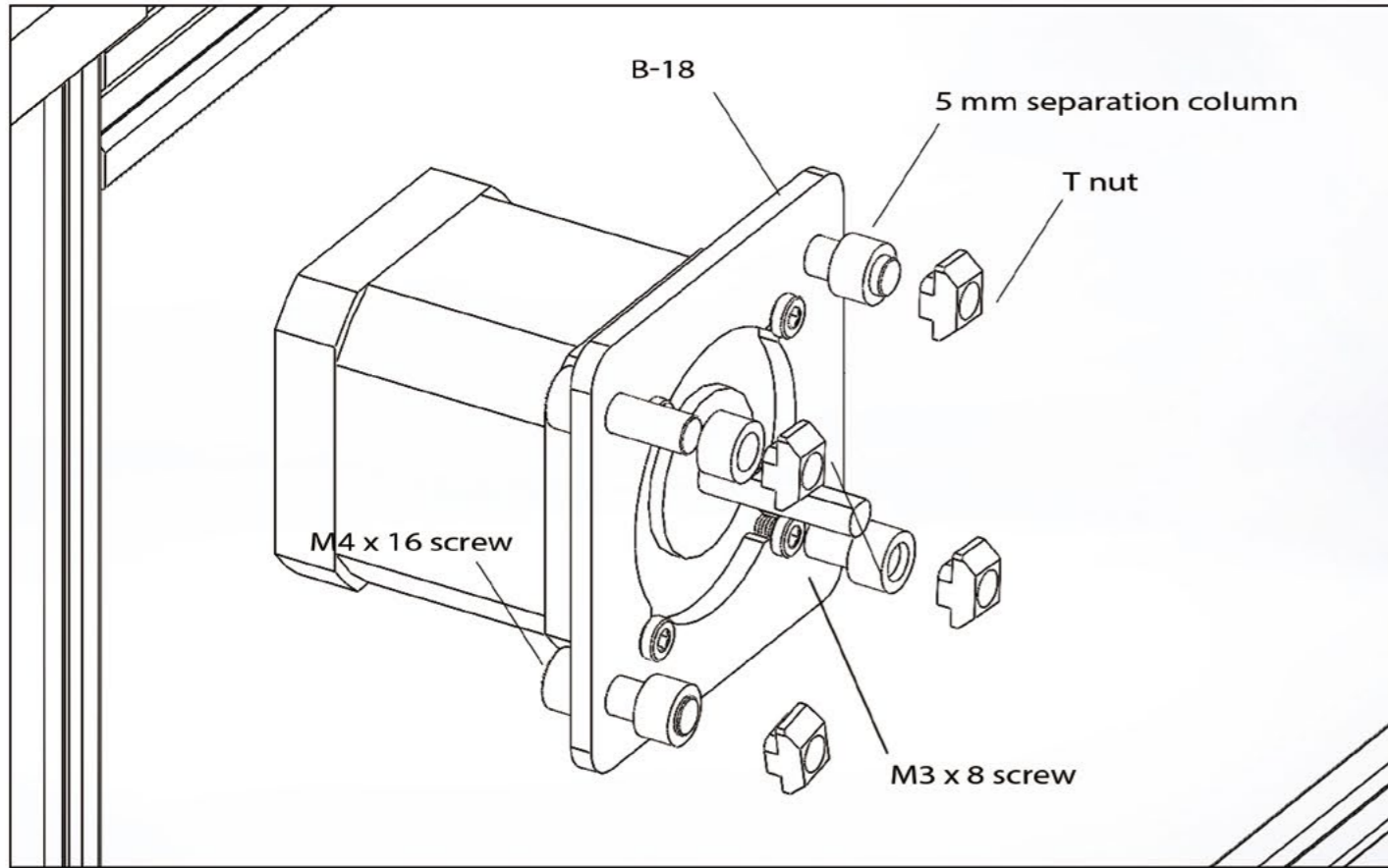
➤ CNC B-11  
CNC B-9  
B-22  
B-18



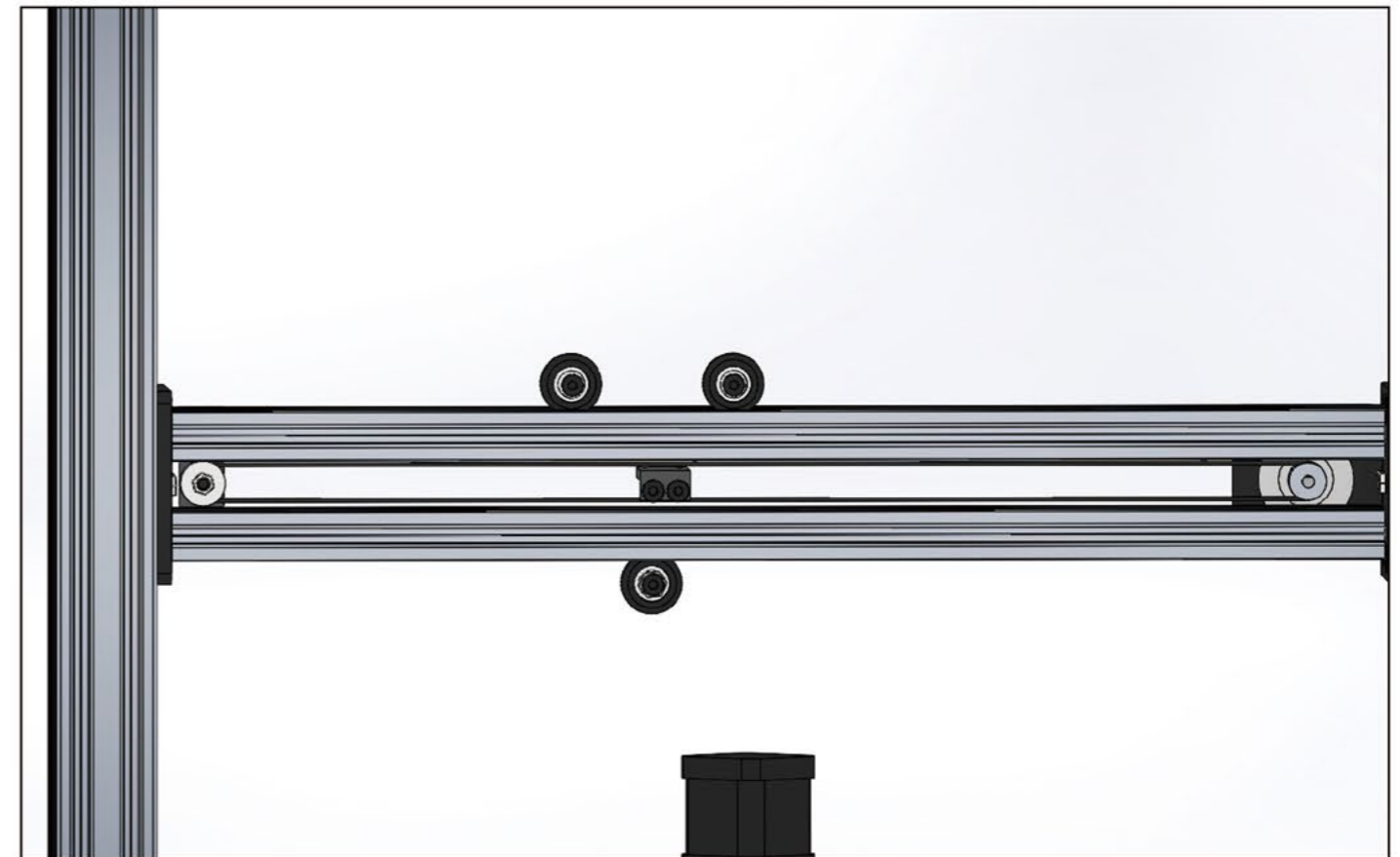
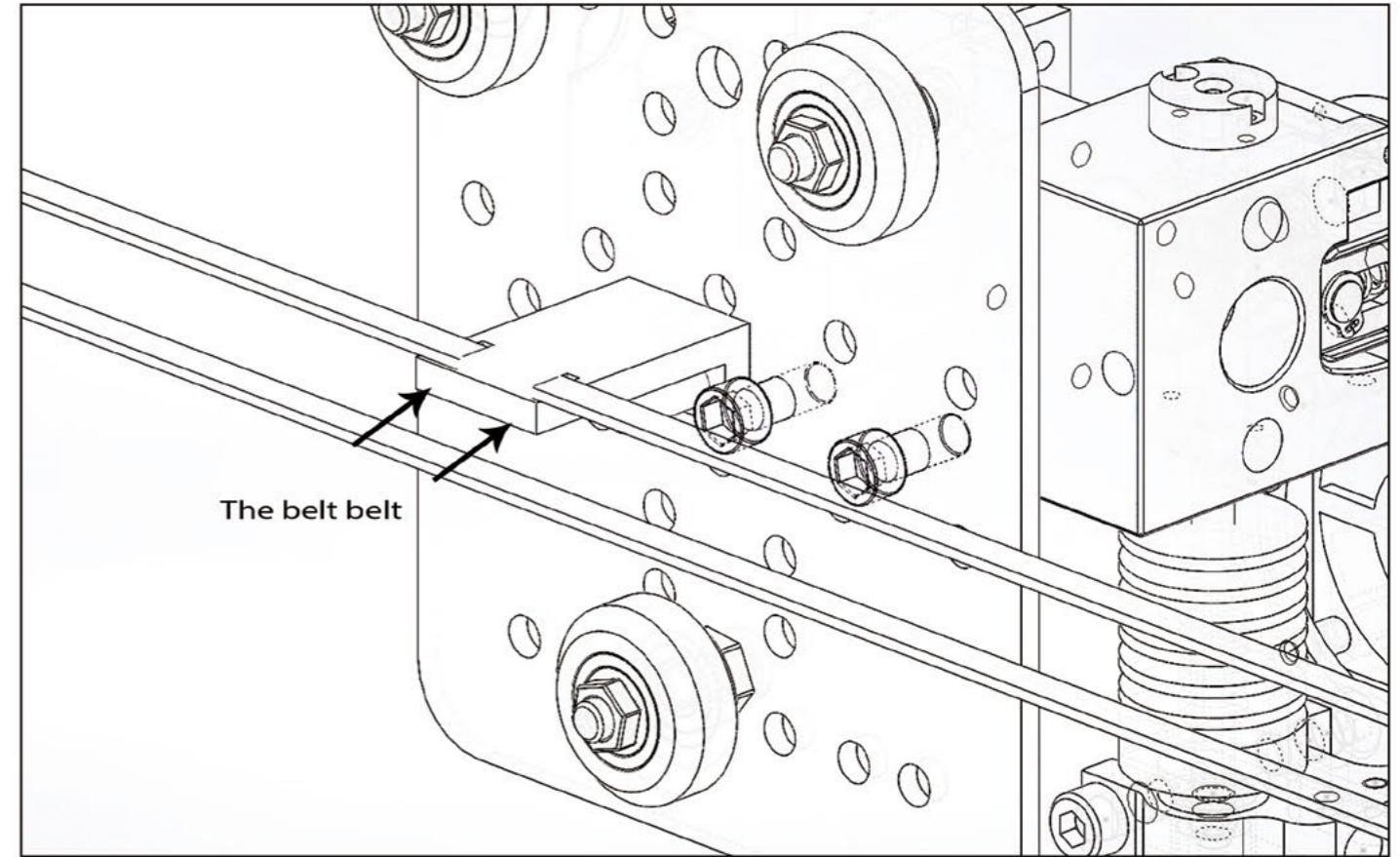
➤ Flat M5 x 25 screw \* 3  
Flat M5 x 15 screw \* 6  
M3 x 6 screw \* 4  
M4 x 6 \* 4  
M3 x 8 \* 4  
5 mm separation column \* 6  
Nylon nut 5 mm \* 4  
Lock Collar 8mm \* 2  
Brass shim \* 4  
Large pulley \* 3  
Eccentric nut \* 1  
T nut \* 6  
Inertia wheel \* 1



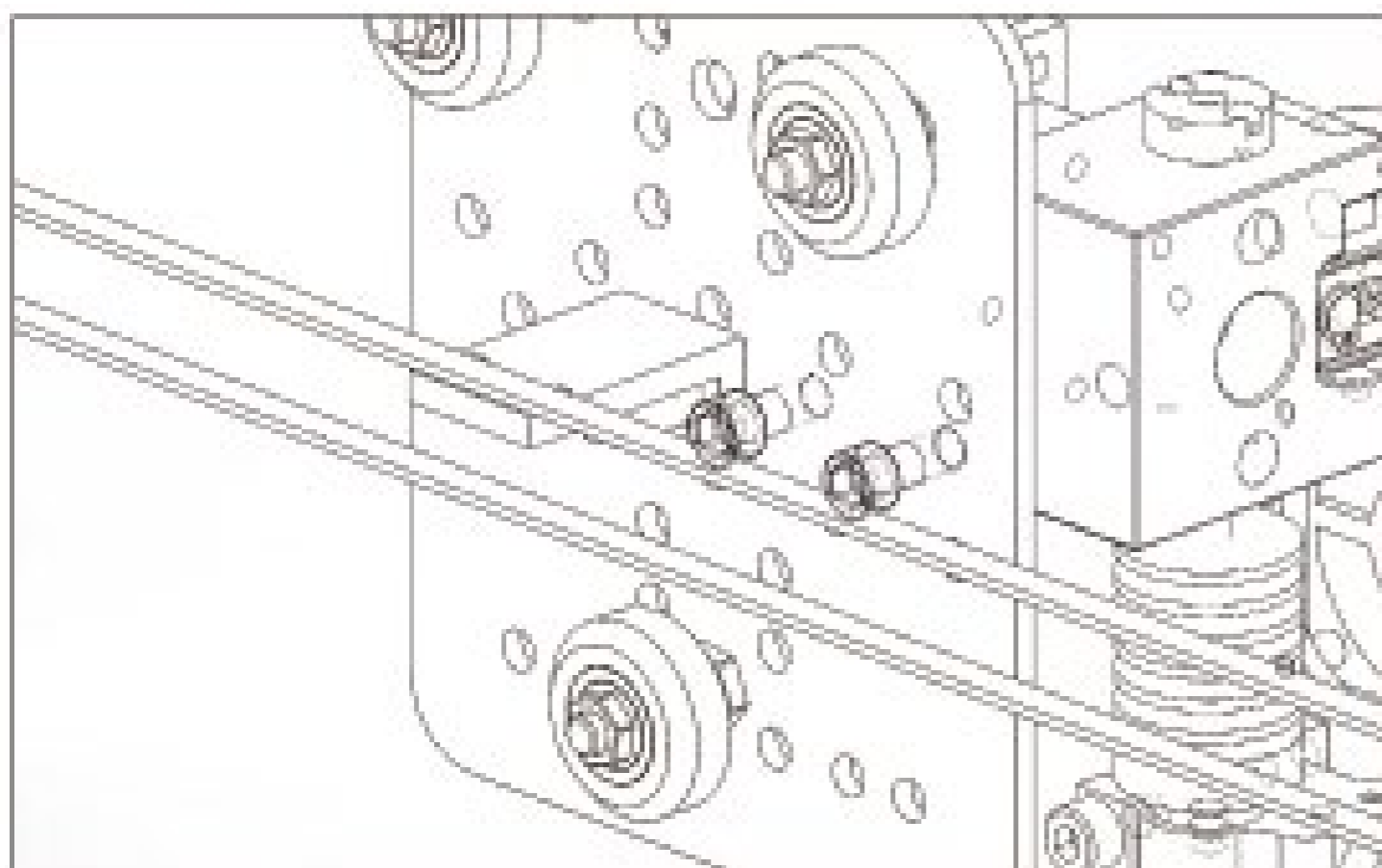
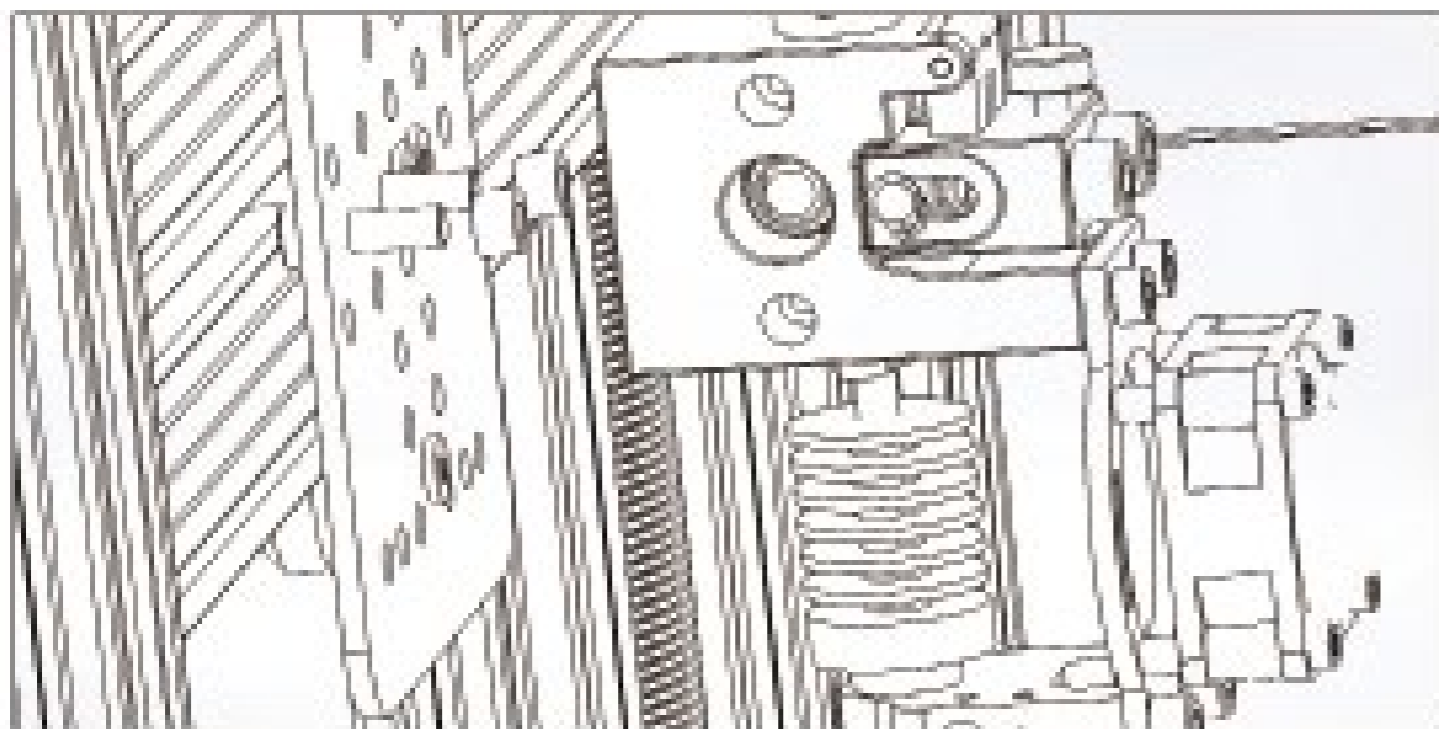
THE X AXIS INSTALLATION



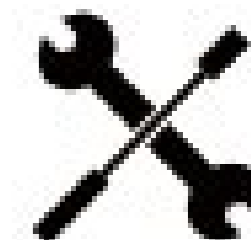
THE X AXIS INSTALLATION







EXTRUDER IN EXTRUDER BOX FIXED COMPONENTS



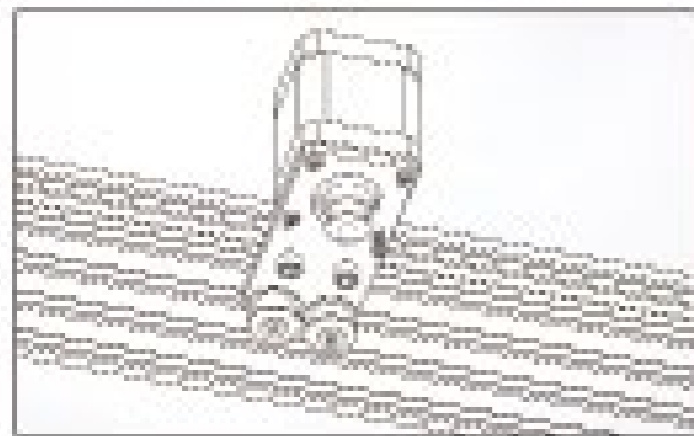
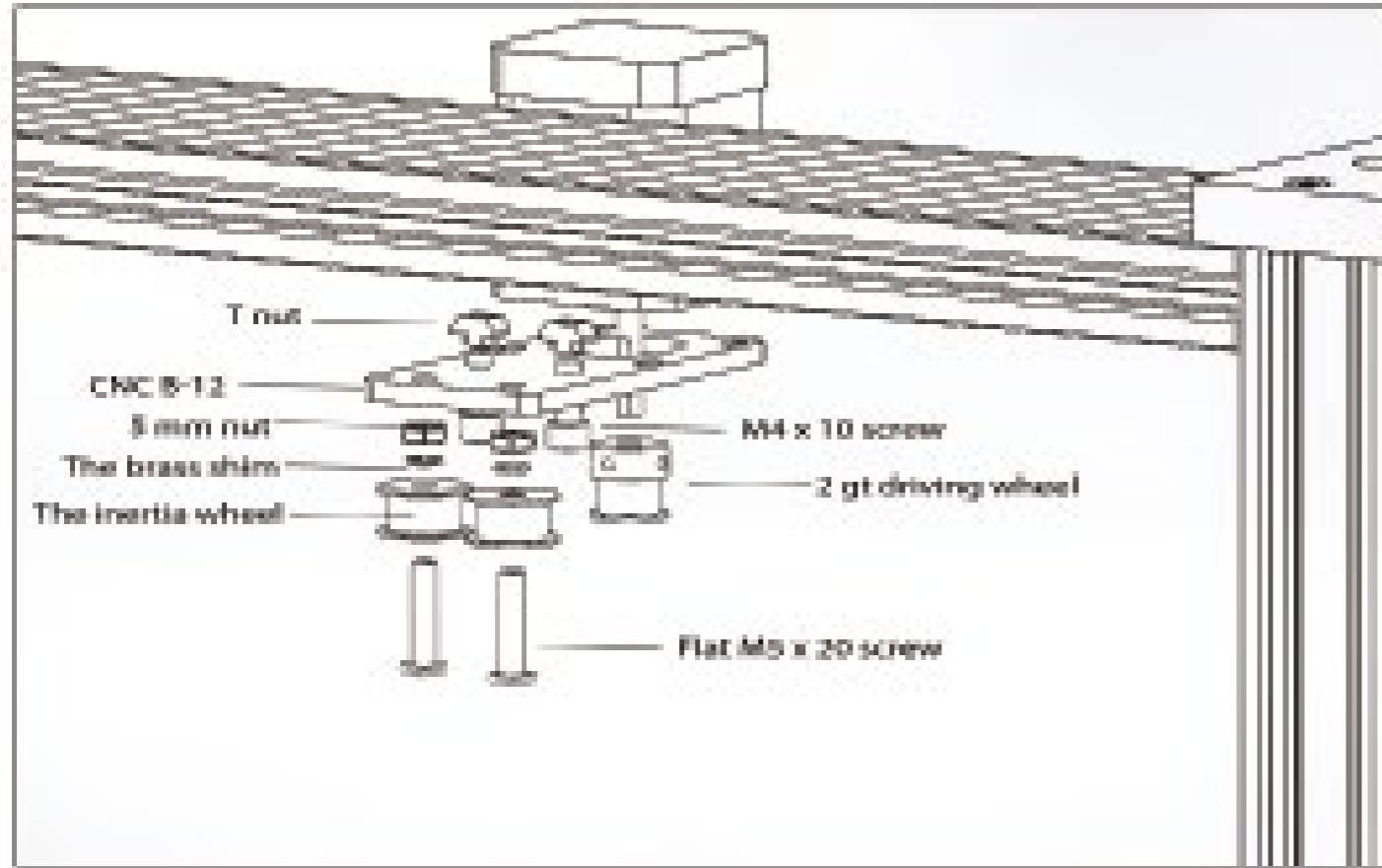
**PARTS  
ARE READY**



CNC B-12



Flat M5 x 20 screw \* 2  
M4 x 10 screw \* 2  
The brass shim \* 2  
5 mm nut \* 2  
T nut \* 2  
The inertia wheel \* 2  
2 qt driving wheel  
M3 x 8 screw \* 4



PARTS  
ARE READY

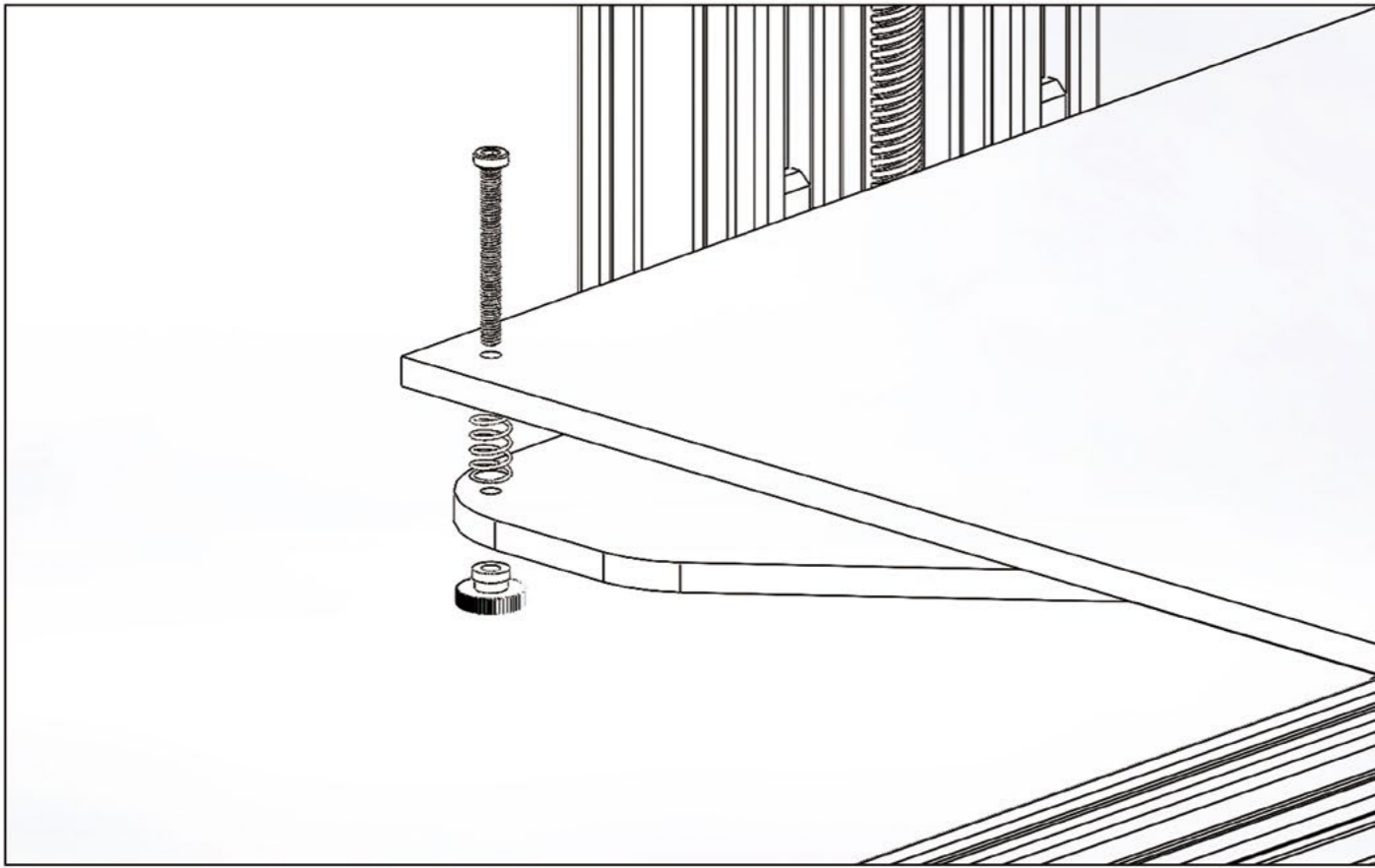


HOT BED



Hot bed mounting screws group

INSTALL THE HOT BED



DRAG CHAIN INSTALLATION



PARTS ARE READY

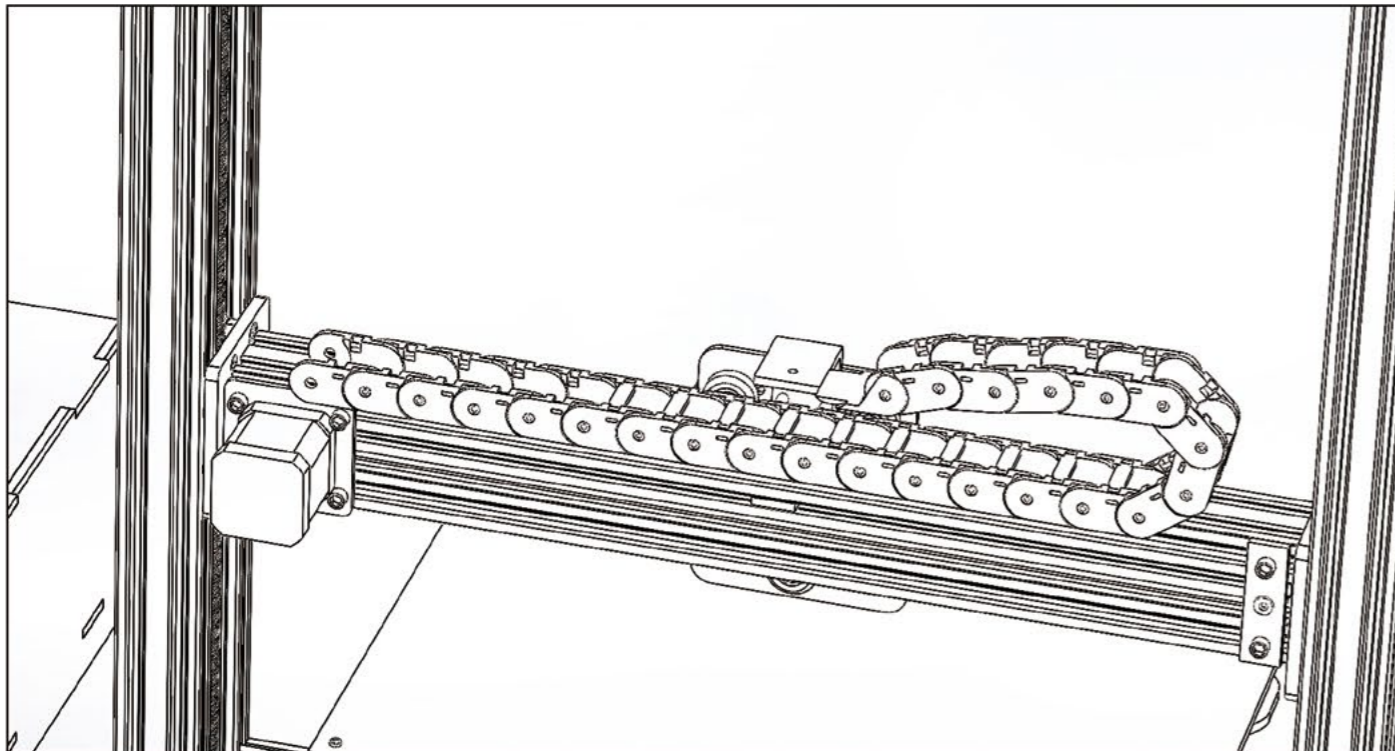
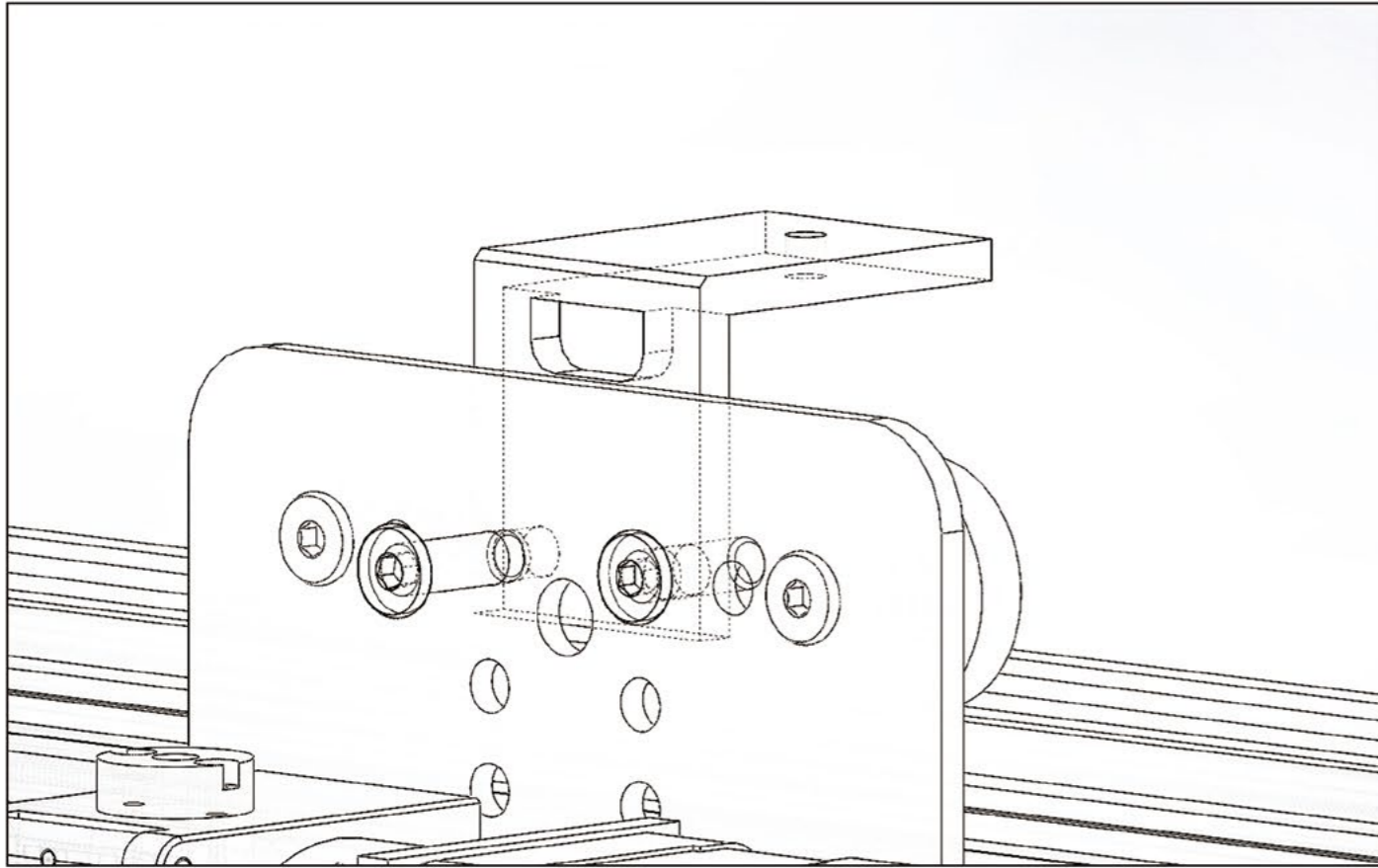


CNC B-21  
CNC B-23

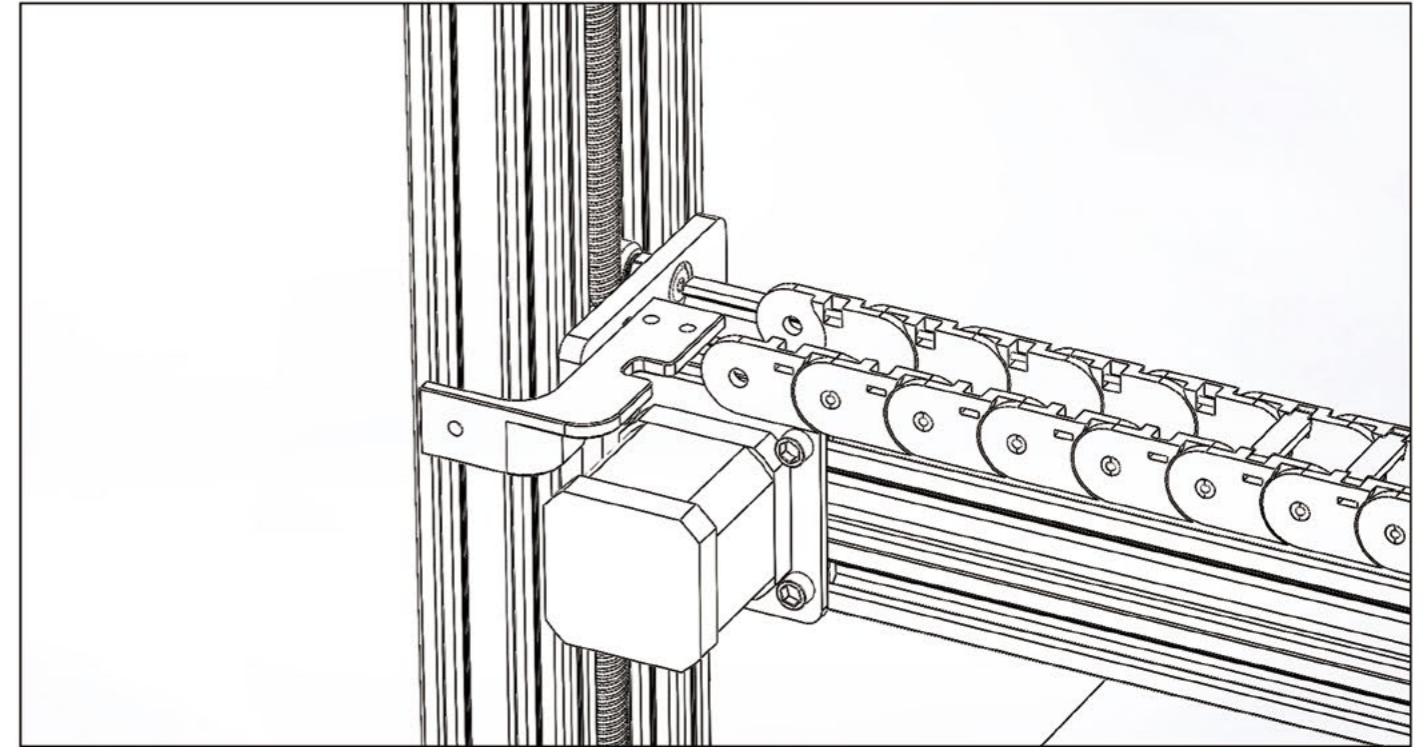


Drag chain  
Drag chain screw fixation group

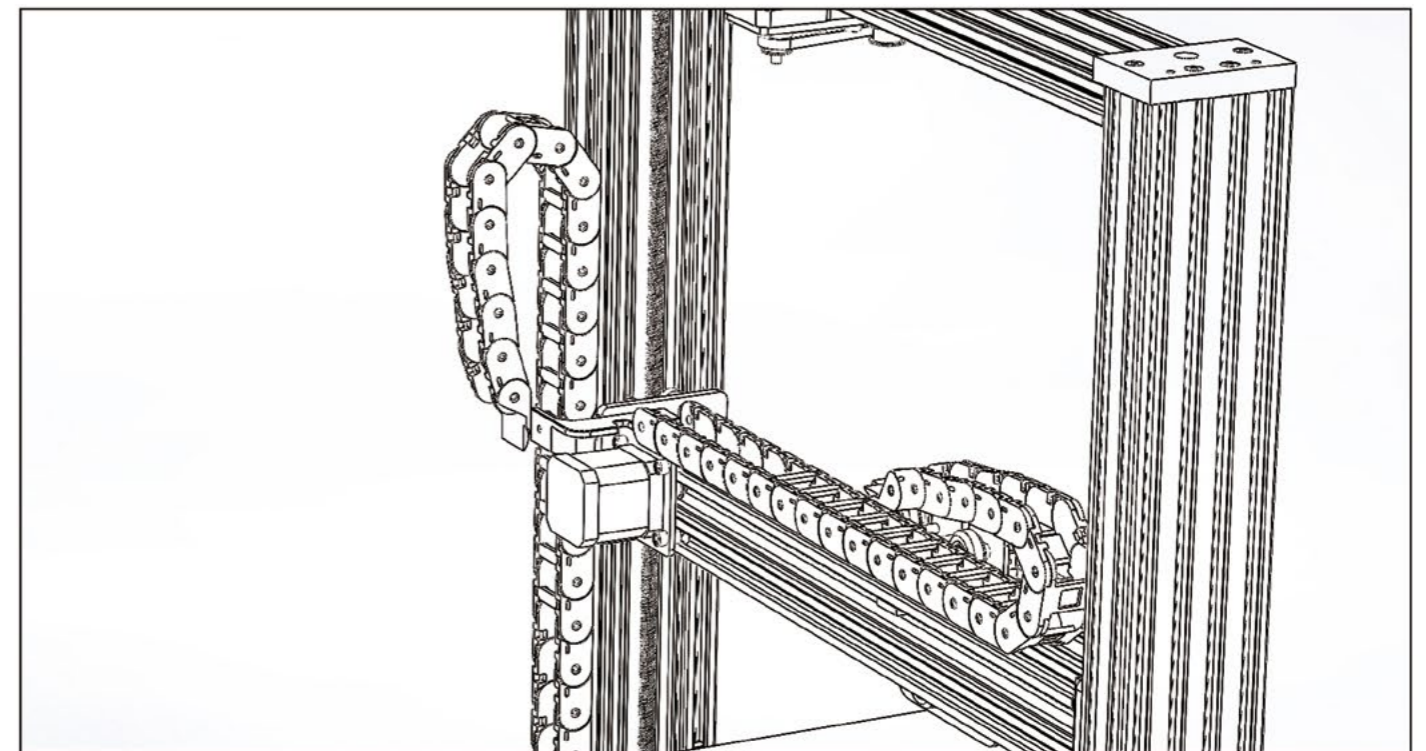
## DRAG CHAIN INSTALLATION



## DRAG CHAIN INSTALLATION

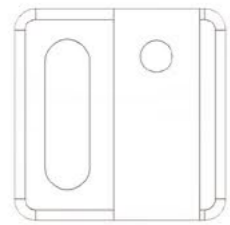


AS SHOWN IN FIGURE POSITION TO INSTALL





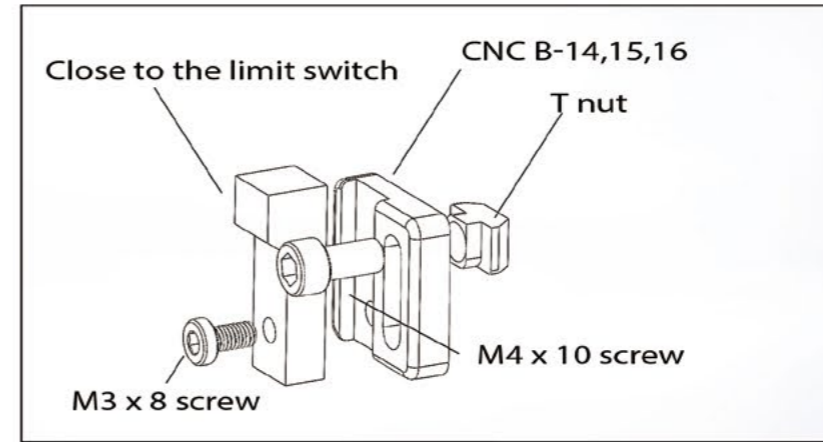
**PARTS  
ARE READY**



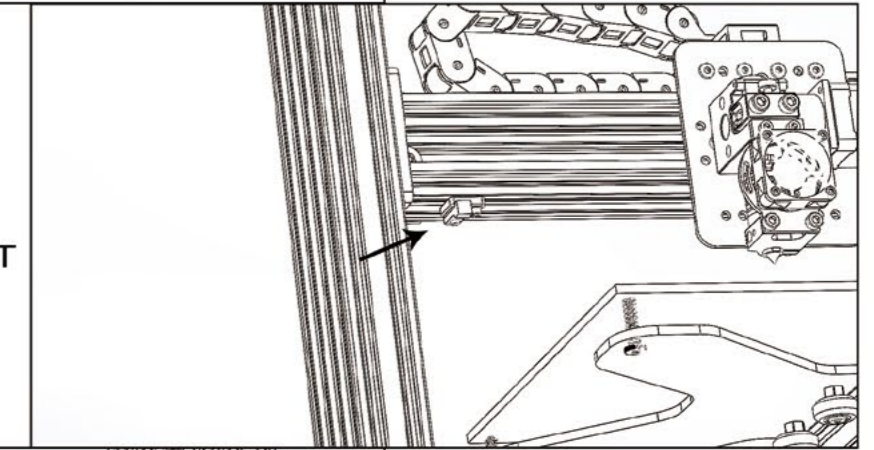
➤ CNC B-14,15,16



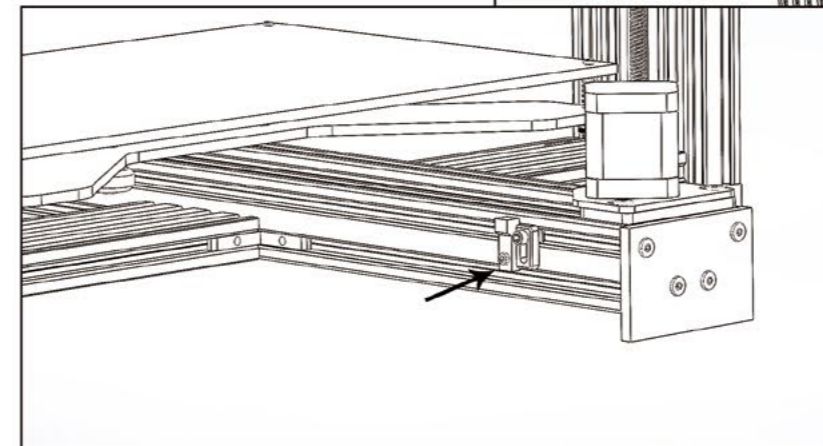
➤ Close to the limit switch \* 3  
T nut \* 3  
M4 x 10 screw \* 3  
M3 x 8 screw \* 3



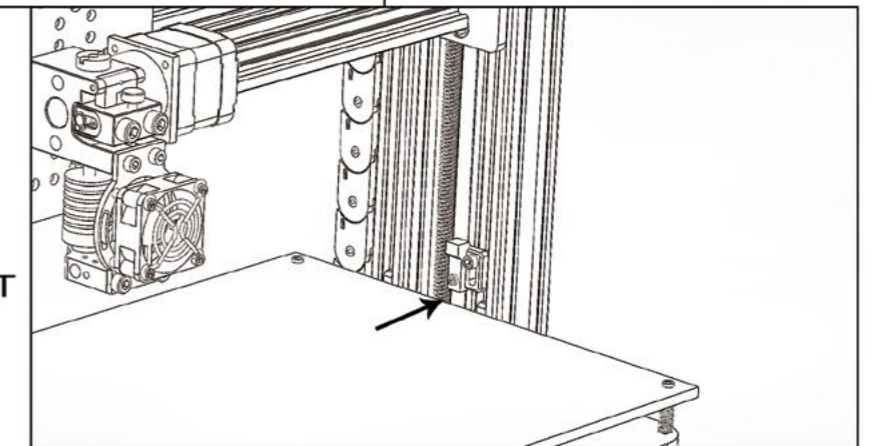
THE X-AXIS LIMIT

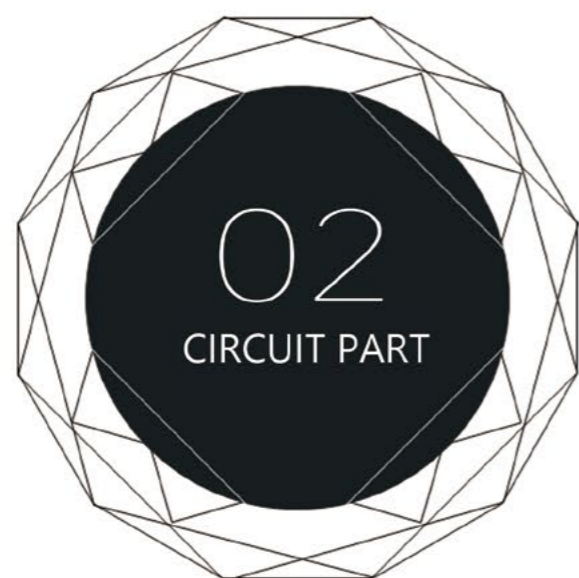


THE Y-AXIS LIMIT



THE Z-AXIS LIMIT

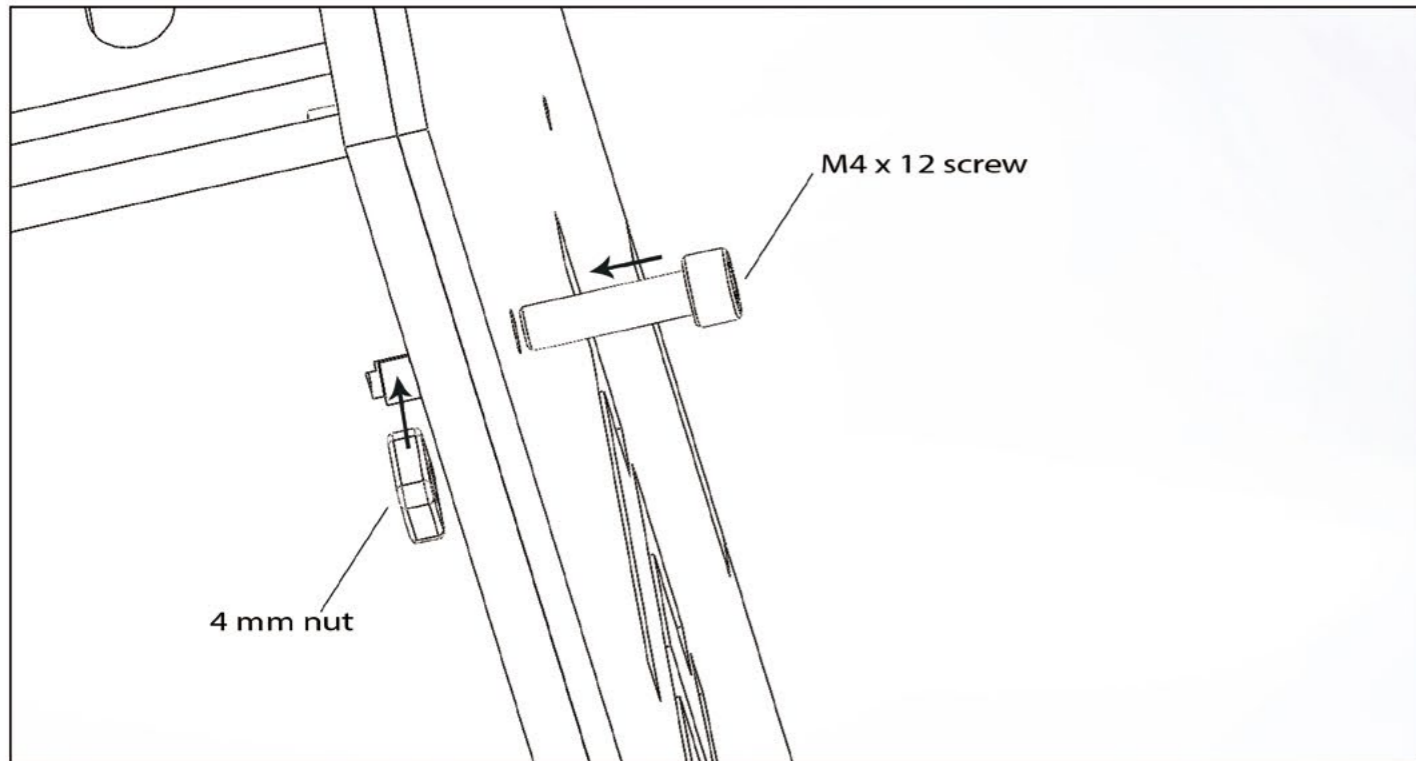
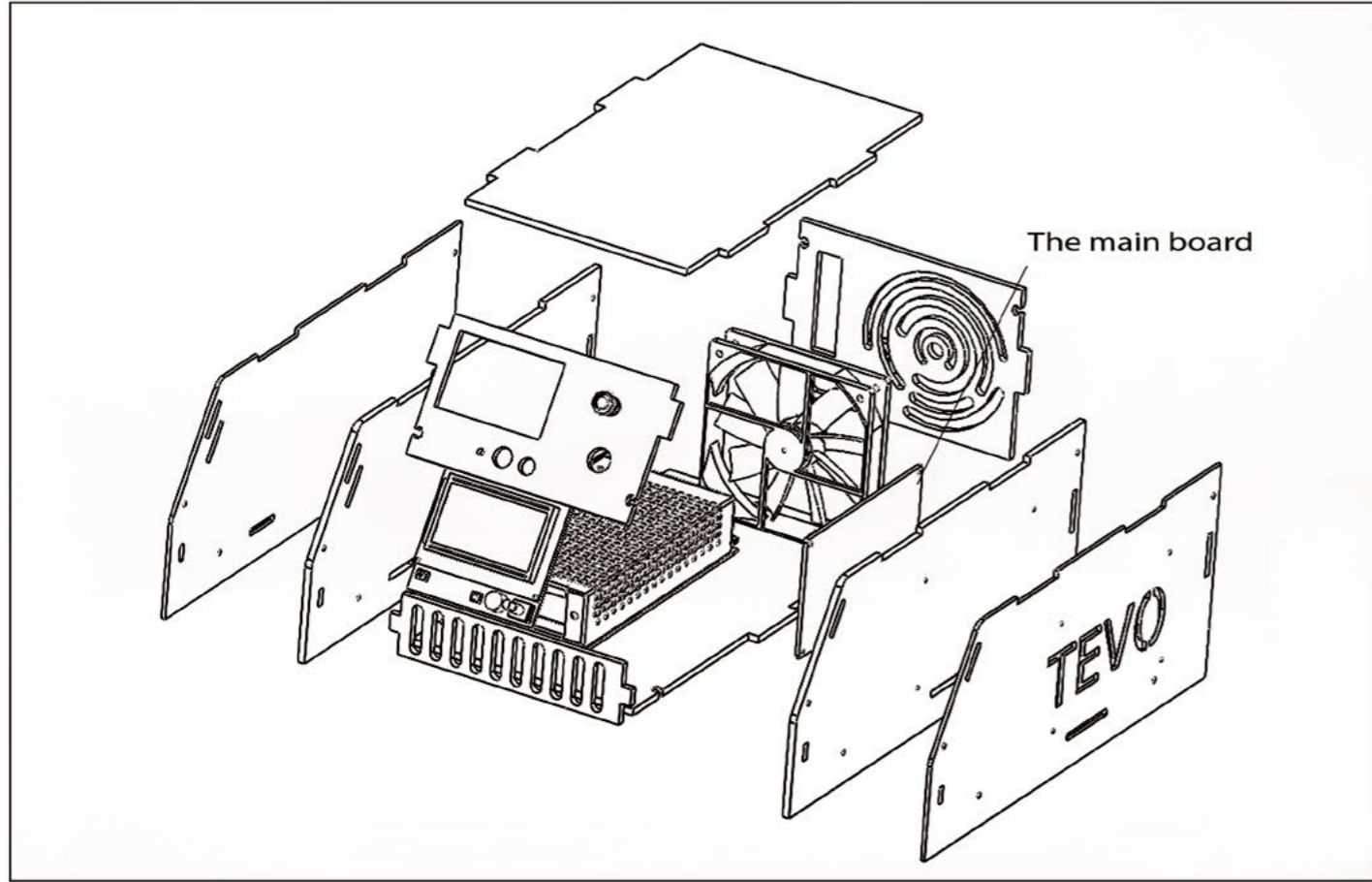




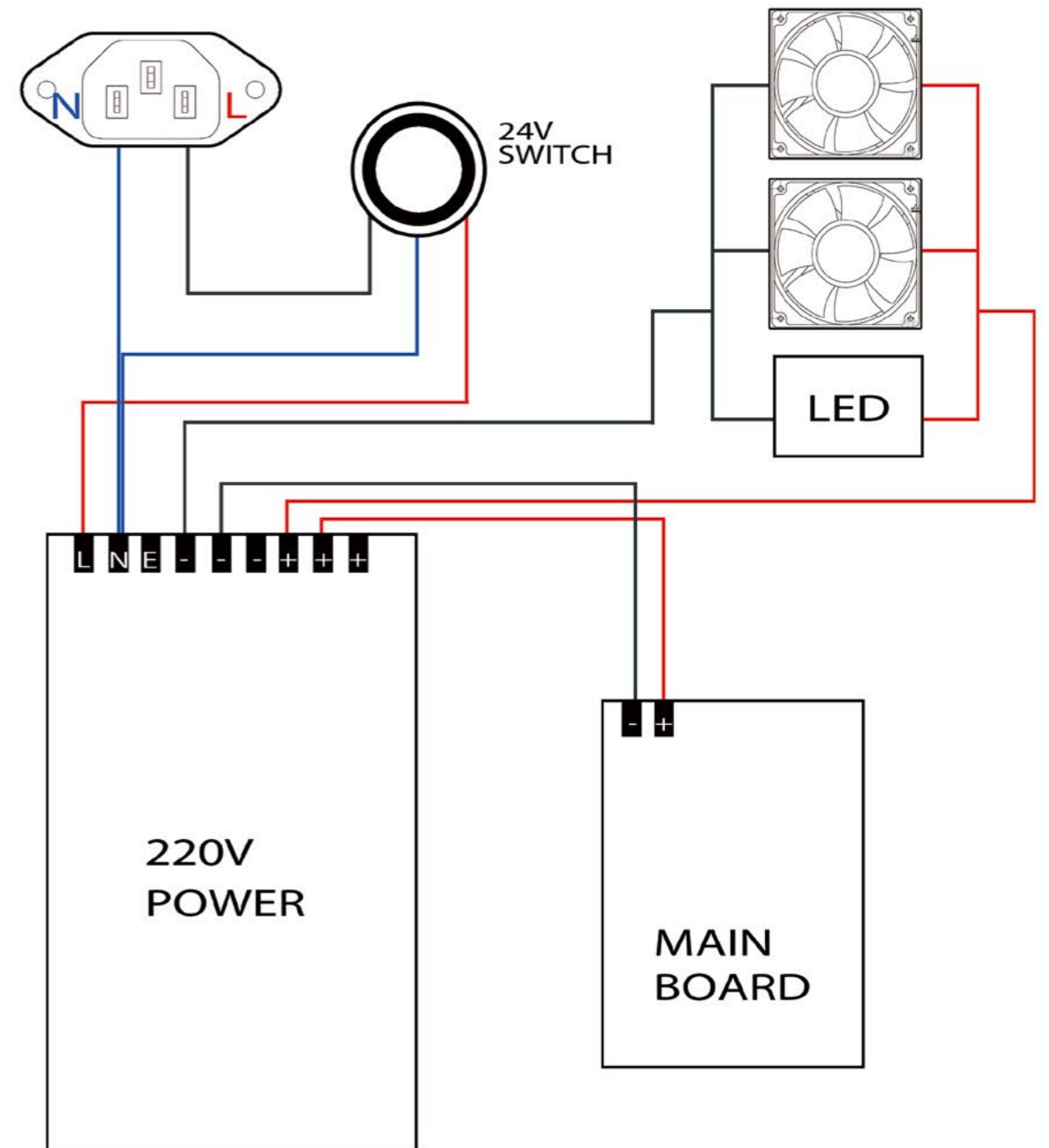
CONTROL BOX SUITE  
24 V SWITCHING POWER SUPPLY  
THE MAIN BOARD  
THE CONTROL PANEL



PARTS  
ARE READY



CONNECT THE WIRES ACCORDING TO INDICATION





TEVO

特维电子科技有限公司

TEVO 3D Electronic Technology Co., Ltd.



# PRODUCT SYSTEM



13 PRINTER SERIES  
GANTRY STRUCTURE

THE MULTI-FUNCTION  
MACHINE

CURING LIGHT



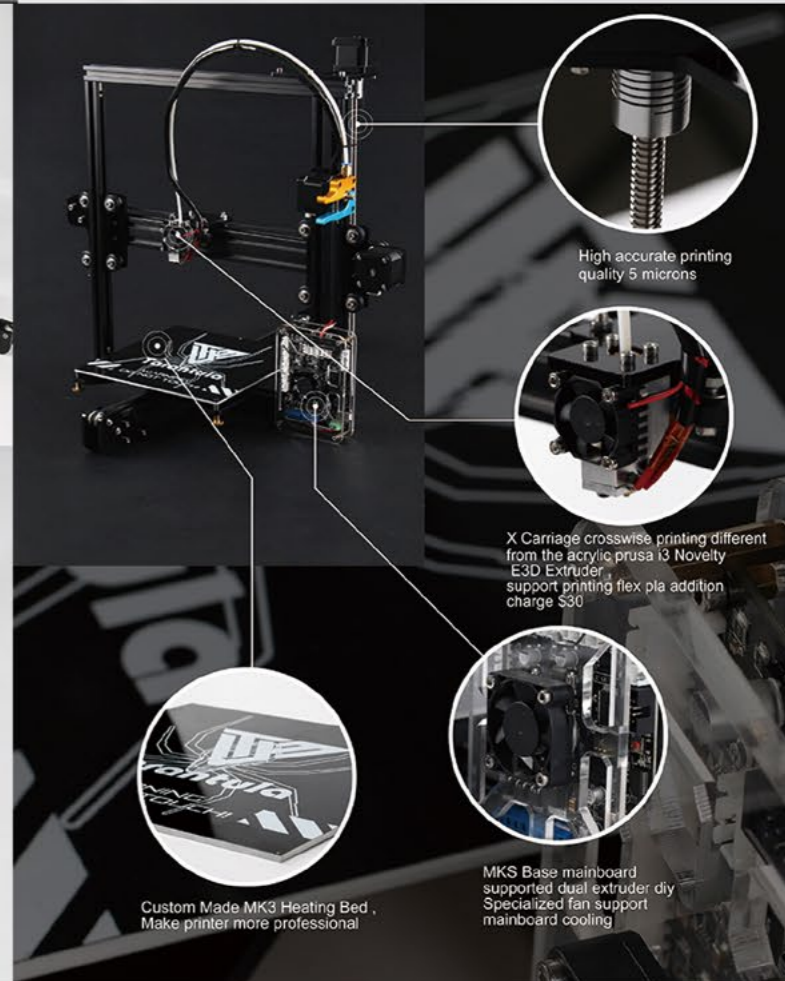
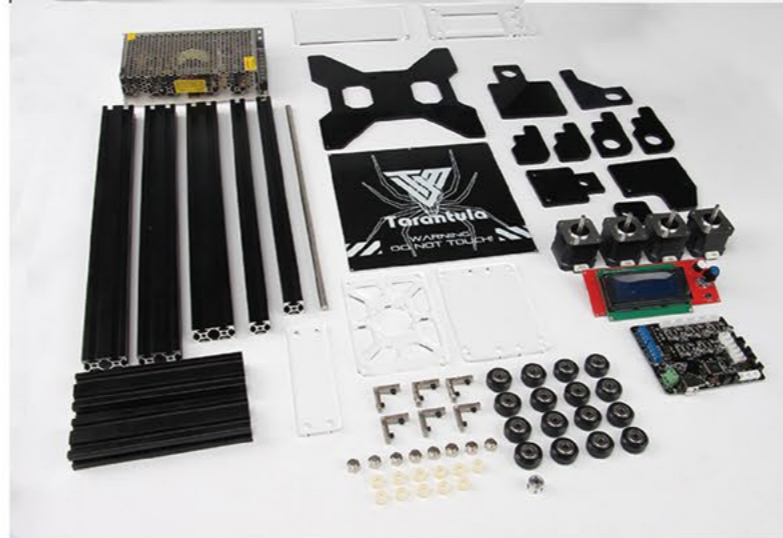
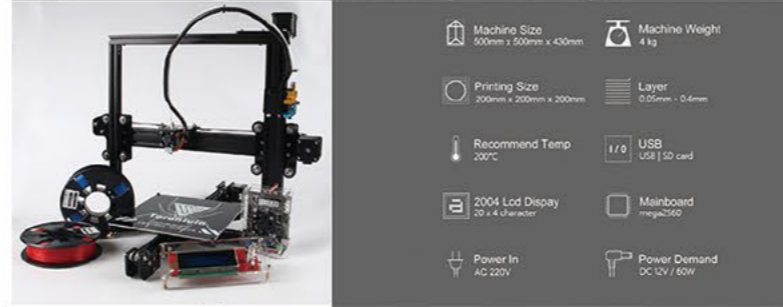
LISTED

TO BE LISTED


RESEARCH  
AND  
DEVELOPMENT

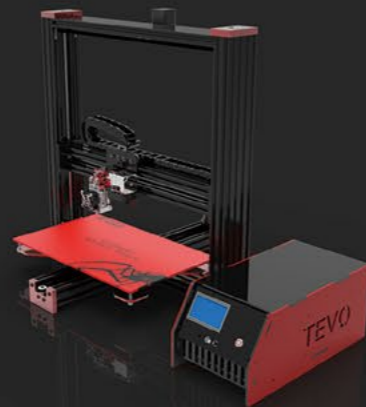


LISTED



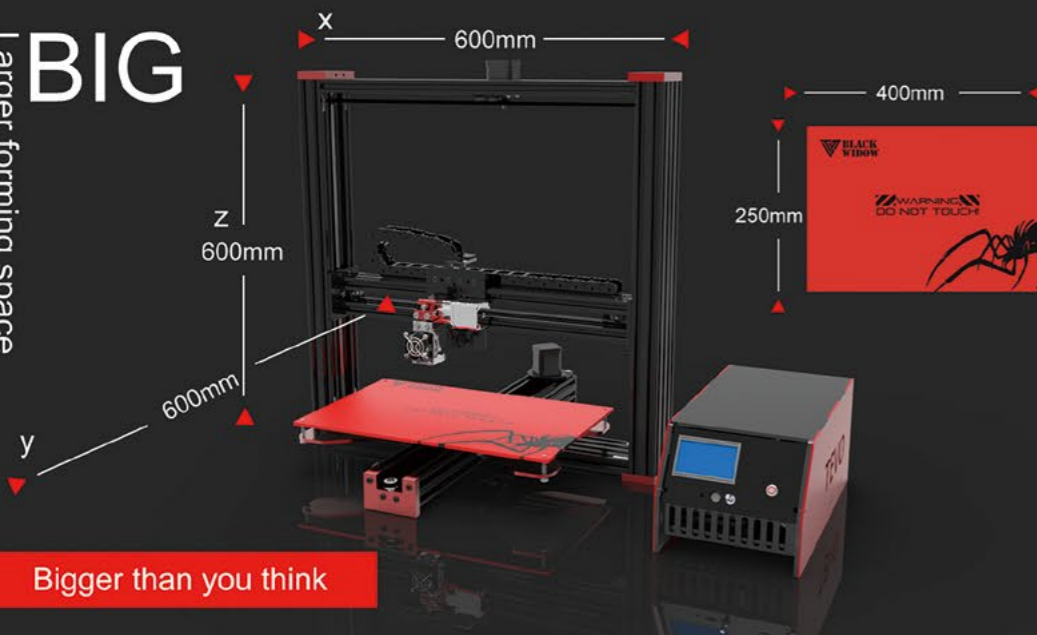


-  Machine Size  
600mm x 600mm x 600mm
-  Machine Weight  
15 kg
-  Printing Size  
400mm x 250mm x 300mm
-  Layer  
0.05mm - 0.4mm
-  Recommend Temp  
200-300 C
-  USB  
USB | SD card
-  12864 Lcd Display  
20 x 4 character
-  Mainboard  
mega2560
-  Power In  
AC 110V-220V
-  Power Demand  
DC 24V 360W



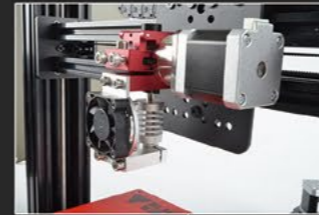
**BIG**

Larger forming space



Bigger than you think

All metal hot end and extruder, with a 5:1 gearing, let's you print common and exotic filaments with ease.



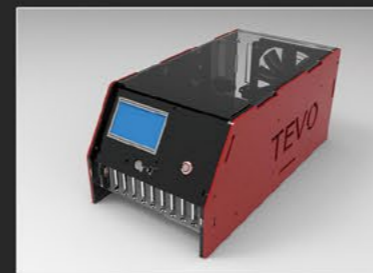
Solid anodized aluminum plates are CNC milled for precise fit, extreme rigidity, and a beautiful look that will last.



Enormous 400mm x 250mm heated bed heats up extremely fast, so you can print large things faster!



Tiny inductive sensors for homing this all metal printer, for a clean and reliable experience.



Custom electronics box keeps control board cool and wires looking neat.

Black widow is not only upgrade, is the most perfect experience of DIY





TEVO 3D Electronic Technology CO.,Ltd.